



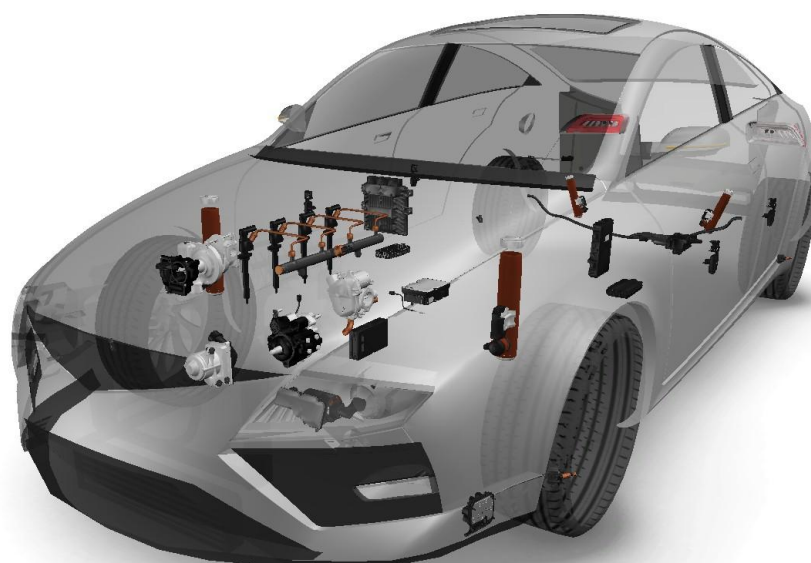
Common Rail Diesel

Replacement Parts Catalogue 2014

VDO

Our innovation. Your advantage.

The worldwide first high-pressure diesel injection system with piezo injectors was the forerunner of the current Continental Common Rail Diesel System. Common Rail Diesel Injection Systems consist of the following main components: a high-pressure pump, piezo injectors, rail, lines and engine control unit. The high-pressure pump continually delivers diesel fuel into the rail under pressure; the rail supplies fuel to the piezo injectors through the lines. The engine units controls the piezo injectors to ensure that the right amount of diesel fuel is injected into the cylinders at the right point in time.



Content

Replacement parts - overview	5
DV4TD	7
Manufacturer	7
Spare Parts	7
Cross Reference	8
DW10TD	11
Manufacturer	11
Notice	11
Spare Parts	11
Cross Reference	12
DW10BTED	13
Manufacturer	13
Notice	13
Spare Parts	14
Cross Reference	14
DV6C TED4	17
Manufacturer	17
Notice	18
Spare Parts	18
Cross Reference	18
K9K Euro 4	21
Manufacturer	21
Notice	21
Spare Parts	21
Cross Reference	22
K9K Euro 5	23
Manufacturer	23
Notice	23
Spare Parts	23
Cross Reference	24
K9K Gen6	25
Manufacturer	25
Cross Reference	25
Lynx	27
Manufacturer	27
Notice	27
Spare Parts	27
Cross Reference	28

VW Common Rail	29
Manufacturer	29
Notice	29
Spare Parts	30
Cross Reference	30
Puma	31
Manufacturer	31
Notice	31
Spare Parts	32
Cross Reference	32
LionV8	33
Manufacturer	33
Notice	33
Spare Parts	33
Cross Reference	34
LionV6 Upgrade	35
Manufacturer	35
Notice	35
Spare Parts	35
Cross Reference	36
LionV6	37
Manufacturer	37
Notice	37
Spare Parts	37
Cross Reference	38
Cross Reference	41
Ford	41
PSA	43
Renault	46
Dacia	46
Nissan	46
Volvo	47
Jaguar	47
Landrover	47
VW	48
Audi	49
Seat	49
Skoda	49
Mercedes-Benz	49
Toyota	49
Mazda	49
Continental	50
Notes	52

Replacement parts - overview

Category	DW10TD	DV4	DW10B	Lynx	VWCR	DV6
CR Pump	5WS40018-Z CR Pump DW10TD	5WS40008-Z CR Pump DV4	5WS40019-Z CR Pump DW10B => replaced by 5WS40809-Z 5WS40163-Z CR Pump DW10B (VOLVO) A2C59511600 CR Pump DW10B (VOLVO NEW)	A2C59511609 CR Pump LYNX	A2C59517047 CR VW Start Stop pump A2C59517049 CR VW ITP less pump	A2C59513555 CR Pump DV6 => replaced by A2C59513830 A2C59513829 CR Pump DV6 (Ford) A2C59513830 CR Pump DV6 (StartStop)
Injector	5WS40000-Z Injector DW10TD	5WS40148-Z Injector EURO 3 DV4 5WS40149-Z Injector EU4 DV4 => replaced by A2C59511612 A2C59511612 Injector DV4 (Kyocera)	5WS40156-4Z Injector DW10B CLASS 4 5WS40156-Z Injector DW10B CLASS 5 A2C59511601 Injector DW10B CLASS 6 A2C59511602 Injector DW10U MFMA A2C59511603 Injector DW10B MFMA A2C59513552 Injector DW10B MFMA CL7	A2C59511610 Injector LYNX A2C59511611 Injector LYNX_V227	A2C59513554 Injektor VW CR	A2C59513556 CR Injector DV6C
Misc	X11-800-001-001Z Leckage Clip DW10TD, DV4 X11-800-002-001Z Copper Ring (2.5mm)	X11-800-001-001Z Leckage Clip DW10TD, DV4 X11-800-002-004Z Copper Ring (2,5mm 6- Nose)	X11-800-001-003Z Leckage Clip DW10B X11-800-002-002Z Copper Ring (1.5mm)	X11-800-001-003Z Leckage Clip DW10B X11-800-002-003Z Copper Ring (2.0mm)	X11-800-001- 002Z Leckage Clip A2C59516873 Copper Ring IAM (VW)	A2C59514036 Copper Ring DV6C and Puma A2C59514037 O-ring gasket (return line)
Pipe	5WS40003-Z Pipe Pump DW10TD (ONLY FOR P+P RAIL) 5WS40004-Z Pipe CYL 1+3 DW10TD (ONLY FOR P+P RAIL) 5WS40005-Z Pipe CYL 2+4 DW10TD (ONLY FOR P+P RAIL)		5WS40040-Z Pipe Pump DW10B 5WS40042-Z Pipe CYL 1+3 DW10B 5WS40043-Z Pipe CYL 2+4 DW10B			
Repair Part	X39-800-300-005Z Pressure Control Valve (PCV) => replaced by A2C59506225 X39-800-300-006Z Volume Control Valve (VCV) Screwed A2C59506225 Pressure Control Valve (PCV)	X39-800-300-005Z Pressure Control Valve (PCV) => replaced by A2C59506225 X39-800-300-006Z Volume Control Valve (VCV) Screwed A2C59506225 Pressure Control Valve (PCV)	X39-800-300-005Z Pressure Control Valve (PCV) => replaced by A2C59506225 X39-800-300-018Z Volume Control Valve (VCV) flanged A2C59506225 Pressure Control Valve (PCV)	X39-800-300-005Z Pressure Control Valve (PCV) => replaced by A2C59506225 X39-800-300-006Z Volume Control Valve (VCV) Screwed A2C59506225 Pressure Control Valve (PCV)		

Replacement parts - overview

Category	K9KEU4	K9KEU5	LionV6Base	LionV6Upgrade	LionV8
CR Pump	A2C59511605 CR Pump K9K EU4	A2C59513595 CR Pump K9K EU5	A2C59511314 CR Pump LION V6/DT17	A2C59513482 CR Pump LionV6 upgrade	A2C59513481 CR Pump LionV8
Injector	A2C59511606 Injector K9K EU4	A2C59513484 Injector K9K EU5	A2C59511315 Injector LION V6 JAGUAR EURO 3 A2C59511316 Injector LION V6/DT17 EURO 4 A2C59511364 Injector LION V6 LAND ROVER	A2C59513553 Injector LION V6 UPGRADE	A2C59513596 Injector LionV8 (white clip) A2C59513597 Injector LionV8 (174, red clip)
Misc	X11-800-001-002Z Leckage Clip		X11-800-001-002Z Leckage Clip X11-800-002-002Z Copper Ring (1.5mm) A2C59511320 Injector Clamp Lion	X11-800-001-002Z Leckage Clip X11-800-002-002Z Copper Ring (1.5mm) A2C59511320 Injector Clamp Lion	X11-800-001-002Z Leckage Clip X11-800-002-002Z Copper Ring (1.5mm) A2C59511320 Injector Clamp Lion
Rail	A2C59511607 Rail With Sensor K9K EU4	A2C59513750 Rail K9K EU5 (with sensor)	A2C59511317 Diverter Rail LION V6/DT17 A2C59511318 Rail LEFT LION V6/DT17 A2C59511319 Rail RIGHT LION V6/DT17	A2C59513702 Rail RH LionV6 Upgrade A2C59513703 Rail LH (with sensor) LionV6 Upgrade	A2C59513512 Rail RH With Sensor LionV8 A2C59513699 Rail LH LionV8
Repair Part	X39-800-300-005Z Pressure Control Valve (PCV) => replaced by A2C59506225 A2C53259841Z Volume Control Valve (VCV) K9K A2C59506225 Pressure Control Valve (PCV)		X39-800-300-005Z Pressure Control Valve (PCV) => replaced by A2C59506225 A2C20000719Z Volume Control Valve (VCV) LionV6 A2C59506225 Pressure Control Valve (PCV)		

DV4TD



Manufacturer

1.4l | 50kW | Euro 3 / Euro 4

Citroën C1
 Citroën C2
 Citroën C3
 Citroën Berlingo
 Citroën Partner

Ford Fiesta
 Ford Fusion
 Peugeot 107
 Peugeot 307
 Peugeot 1007

Mazda 2
 Toyota Aygo
 Citroën Xsara
 Peugeot 206

Spare Parts

Category	Order number	Description
CR Pump	5WS40008-Z	CR Pump DV4
Injector	A2C59511612	Injector DV4 (Kyocera)
Injector	5WS40149-Z	Injector EU4 DV4 => replaced by A2C59511612
Injector	5WS40148-Z	Injector EURO 3 DV4
Misc	X11-800-002-004Z	Copper Ring (2,5mm 6-Nose)
Misc	X11-800-001-001Z	Leckage Clip DW10TD, DV4
Repair Part	A2C59506225	Pressure Control Valve (PCV)

Category	Order number	Description
Repair Part	X39-800-300-005Z	Pressure Control Valve (PCV) => replaced by A2C59506225
Repair Part	X39-800-300-006Z	Volume Control Valve (VCV) Screwed

Cross Reference

Manufacturer	OE part number	Description	Order number	Remarks
Continental	A2C20000727 / 5WS40008	CR Pump DV4	5WS40008-Z	
Ford	1346476	Injector EURO 3 DV4	5WS40148-Z	
Ford	1348623	Injector EURO 3 DV4	5WS40148-Z	
Ford	1348625	Copper Ring (2,5mm 6-Nose)	X11-800-002-004Z	
Ford	1404786	CR Pump DV4	5WS40008-Z	
Ford	1469709	Injector EU4 DV4 => replaced by A2C59511612	5WS40149-Z	replaced by A2C59511612
Ford	1488987	CR Pump DV4	5WS40008-Z	
Ford	1497896	CR Pump DV4	5WS40008-Z	
Ford	1497896	CR Pump DV4	5WS40008-Z	
Ford	2S6Q9A543AC	CR Pump DV4	5WS40008-Z	
Ford	2S6Q9A543AD	CR Pump DV4	5WS40008-Z	
Ford	2S6Q9A543AF	CR Pump DV4	5WS40008-Z	
Ford	2S6Q9E568AB	Copper Ring (2,5mm 6-Nose)	X11-800-002-004Z	
Ford	2S6Q9F593AA	Injector	Injector	see 9649574480
Ford	2S6Q9F593AB	Injector EURO 3 DV4	5WS40148-Z	
Ford	2S6Q9F593AC	Injector EURO 3 DV4	5WS40148-Z	
Ford	2S6Q9F593BC	Injector EU4 DV4 => replaced by A2C59511612	5WS40149-Z	replaced by A2C59511612
Ford	2S6Q9F593BD	Injector DV4 (Kyocera)	A2C59511612	
Ford	2S6Q9G719AA	Leckage Clip DW10TD, DV4	X11-800-001-001Z	
Mazda	Y401 13800C	CR Pump DV4	5WS40008-Z	
Mazda	Y404 13250A	Injector DV4 (Kyocera)	A2C59511612	
PSA	1920EP	CR Pump DV4	5WS40008-Z	
PSA	198090	Injector	Injector	replaced by 5WS40148-Z
PSA	1980E6	Injector	Injector	replaced by 5WS40149-Z or 5WS40516/A2C59511612
PSA	1980E7	Injector EURO 3 DV4	5WS40148-Z	
PSA	1980J1	Injector EU4 DV4 => replaced by A2C59511612	5WS40149-Z	replaced by A2C59511612
PSA	1980L0	Injector DW10B MFMA	A2C59511603	5WS40516
PSA	198165	Copper Ring (2,5mm 6-Nose)	X11-800-002-004Z	
PSA	198169		A2C59511488	
PSA	1982C4	Leckage Clip DW10TD, DV4	X11-800-001-001Z	
PSA	9401982C48	Leckage Clip DW10TD, DV4	X11-800-001-001Z	
PSA	9641852080	CR Pump DV4	5WS40008-Z	
PSA	9645988580	Injector	Injector	replaced by 5WS40148-Z
PSA	9649574480	Injector	Injector	replaced by 5WS40148-Z
PSA	9651590880	CR Pump DV4	5WS40008-Z	
PSA	9652707180	Injector	Injector	replaced by 5WS40149-Z or 5WS40516/A2C59511612
PSA	9652763180	Injector	Injector	see 9649574480
PSA	9652763280	Injector	Injector	replaced by 5WS40148-Z
PSA	9654550980	Injector EU4 DV4 => replaced by A2C59511612	5WS40149-Z	replaced by A2C59511612
PSA	9654551080	Injector EU4 DV4 => replaced by A2C59511612	5WS40149-Z	replaced by A2C59511612

Manufacturer	OE part number	Description	Order number	Remarks
PSA	9655304780	Injector EURO 3 DV4	5WS40148-Z	
PSA	9655304880	Injector EURO 3 DV4	5WS40148-Z	
PSA	9658176080	CR Pump DV4	5WS40008-Z	
PSA	9663429280	Injector DV4 (Kyocera)	A2C59511612	5WS40516
PSA	9677247280	Injector	Injector	see 9649574480
PSA	9683528780	CR Pump DV4	5WS40008-Z	
PSA	9685440880	CR Pump DV4	5WS40008-Z	
PSA	9715135480	Injector	Injector	see 9652707180
Toyota	SU00100620	CR Pump DV4	5WS40008-Z	
Toyota	SU00100754	Injector DV4 (Kyocera)	A2C59511612	5WS40516
Toyota	SU00100836	Injector DV4 (Kyocera)	A2C59511612	5WS40516

DW10TD



Manufacturer

2.0l | 64kW | 2-valve engine

Citroën C5
Citroën Berlingo
Citroën Xsara

Peugeot 206
Peugeot 307
Peugeot 406 (Facelift)

Peugeot 407
Peugeot Partner
Suzuki Vitara

Notice

- Rails are not a part of the delivery scope.

Spare Parts

Category	Order number	Description
CR Pump	5WS40018-Z	CR Pump DW10TD
Injector	5WS40000-Z	Injector DW10TD
Misc	X11-800-002-001Z	Copper Ring (2.5mm)
Misc	X11-800-001-001Z	Leakage Clip DW10TD, DV4
Pipe	5WS40004-Z	Pipe CYL 1+3 DW10TD (ONLY FOR P+P RAIL)
Pipe	5WS40005-Z	Pipe CYL 2+4 DW10TD (ONLY FOR P+P RAIL)

Category	Order number	Description
Pipe	5WS40003-Z	Pipe Pump DW10TD (ONLY FOR P+P RAIL)
Repair Part	A2C59506225	Pressure Control Valve (PCV)
Repair Part	X39-800-300-006Z	Volume Control Valve (VCV) Screwed
Repair Part	X39-800-300-005Z	Pressure Control Valve (PCV) => replaced by A2C59506225

Cross Reference

Manufacturer	OE part number	Description	Order number	Remarks
Continental	A2C20000502 / 5WS40018	CR Pump DW10TD	5WS40018-Z	
Ford	4M5Q9F524AA	Leckage Clip DW10B	X11-800-001-003Z	
PSA	1570A9	Pipe Pump DW10TD (ONLY FOR P+P RAIL)	5WS40003-Z	only for welded rails until 11/2004
PSA	1570C1	Pipe CYL 1+3 DW10TD (ONLY FOR P+P RAIL)	5WS40004-Z	only for welded rails until 11/2004
PSA	1570C2	Pipe CYL 2+4 DW10TD (ONLY FOR P+P RAIL)	5WS40005-Z	only for welded rails until 11/2004
PSA	1920CG	CR Pump DW10TD	5WS40018-Z	
PSA	1980F0	Injector DW10TD	5WS40000-Z	
PSA	198165	Copper Ring (2,5mm 6-Nose)	X11-800-002-004Z	
PSA	1982C4	Leckage Clip DW10TD, DV4	X11-800-001-001Z	
PSA	9636673880	CR Pump DW10TD	5WS40018-Z	
PSA	9636675780	Pipe CYL 2+4 DW10TD (ONLY FOR P+P RAIL)	5WS40005-Z	only for welded rails until 11/2004
PSA	9636680280	Injector DW10TD	5WS40000-Z	
PSA	9636818480	CR Pump DW10TD	5WS40018-Z	
PSA	9636819380	Injector DW10TD	5WS40000-Z	
PSA	9652173680	Injector DW10TD	5WS40000-Z	
PSA	9652173780	Injector DW10TD	5WS40000-Z	
PSA	9652175380	CR Pump DW10TD	5WS40018-Z	
PSA	9652175480	CR Pump DW10TD	5WS40018-Z	
PSA	9653276480	Copper Ring (2.5mm)	X11-800-002-001Z	
PSA	9658195080	CR Pump DW10TD	5WS40018-Z	

DW10BTED



Manufacturer

2.0l | 100kW | 4-valve engine

Citroën C4 / C4 Picasso
 Citroën C4 Grand Picasso
 Citroën C5
 Citroën C8
 Citroën Jumpy / Dispatch
 Fiat Ulysse / Scudo
 Ford Focus / C-Max
 Ford Galaxy

Ford Kuga
 Ford Mondeo
 Ford S-Max
 Peugeot 207
 Peugeot 3008
 Peugeot 307 / 308
 Peugeot 407
 Peugeot 607

Peugeot 807
 Peugeot Expert
 Volvo C30
 Volvo C70
 Volvo S40
 Volvo V50
 Volvo V70
 Volvo S80

Notice

- The PCV A2C59506225 must not be used for DW10B PSA application.
- This type of injector is available in different classifications. A faulty injector needs to be replaced by an injector with the same classification!
- Rails are not a part of the delivery scope.

Spare Parts

Category	Order number	Description
CR Pump	A2C59511600	CR Pump DW10B (VOLVO NEW)
CR Pump	5WS40163-Z	CR Pump DW10B (VOLVO)
CR Pump	5WS40019-Z	CR Pump DW10B => replaced by 5WS40809-Z
Injector	5WS40156-4Z	Injector DW10B CLASS 4
Injector	A2C59511601	Injector DW10B CLASS 6
Injector	5WS40156-Z	Injector DW10B CLASS 5
Injector	A2C59511603	Injector DW10B MFMA
Injector	A2C59511602	Injector DW10U MFMA
Injector	A2C59513552	Injector DW10B MFMA CL7
Misc	X11-800-002-002Z	Copper Ring (1.5mm)
Misc	X11-800-001-003Z	Leckage Clip DW10B
Pipe	5WS40043-Z	Pipe CYL 2+4 DW10B
Pipe	5WS40042-Z	Pipe CYL 1+3 DW10B
Pipe	5WS40040-Z	Pipe Pump DW10B
Repair Part	A2C59506225	Pressure Control Valve (PCV)
Repair Part	X39-800-300-018Z	Volume Control Valve (VCV) flanged
Repair Part	X39-800-300-005Z	Pressure Control Valve (PCV) => replaced by A2C59506225

Cross Reference

Manufacturer	OE part number	Description	Order number	Remarks
Continental	A2C20000598 / 5WS40019	CR Pump DW10B => replaced by 5WS40809-Z	5WS40019-Z	
Continental	A2C20003791 / 5WS40163	CR Pump DW10B (VOLVO)	5WS40163-Z	
Continental	A2C27100268 / 5WS40380	CR Pump DW10B (VOLVO NEW)	A2C59511600	
Continental	A2C53334602 / 5WS40809	CR Pump DW10B	5WS40809-Z	
Fiat	9657144680	Injector DW10B CLASS 5	5WS40156-Z	
Fiat	9657144780	Injector DW10B CLASS 5	5WS40156-Z	
Fiat	9657144880	Injector DW10B CLASS 6	A2C59511601	5WS40156-6
Fiat	9681945580	CR Pump DW10B	5WS40809-Z	
Ford	1231950	Pipe Pump DW10B	5WS40040-Z	only for welded rails until 11/2004
Ford	1231951	Pipe CYL 1+3 DW10B	5WS40042-Z	only for welded rails until 11/2004
Ford	1373546	CR Pump DW10B => replaced by 5WS40809-Z	5WS40019-Z	replaced by 5WS40809-Z
Ford	1373549	Injector DW10B CLASS 4	5WS40156-4Z	
Ford	1373550	Injector DW10B CLASS 5	5WS40156-Z	
Ford	1376439	CR Pump DW10B (VOLVO NEW)	A2C59511600	5WS40380
Ford	1483820	Injector DW10B CLASS 6	A2C59511601	5WS40156-6
Ford	1508245	CR Pump DW10B (VOLVO NEW)	A2C59511600	5WS40380
Ford	1508245	CR Pump DW10B (VOLVO NEW)	A2C59511600	5WS40380
Ford	1541974	CR Pump DW10B (VOLVO NEW)	A2C59511600	5WS40380
Ford	3M5Q9A543BD	CR Pump DW10B => replaced by 5WS40809-Z	5WS40019-Z	replaced by 5WS40809-Z
Ford	3M5Q9A543CB	CR Pump DW10B (VOLVO NEW)	A2C59511600	5WS40380

Manufacturer	OE part number	Description	Order number	Remarks
Ford	3M5Q9F593DB	Injector DW10B CLASS 4	5WS40156-4Z	
Ford	3M5Q9F593EA	Injector DW10B CLASS 5	5WS40156-Z	
Ford	3M5Q9F593EB	Injector DW10B CLASS 5	5WS40156-Z	
Ford	3M5Q9F593FB	Injector DW10B CLASS 6	A2C59511601	5WS40156-6
Ford	3M5Q9J323BA	Pipe Pump DW10B	5WS40040-Z	only for welded rails until 11/2004
Ford	3M5Q9N868CA	Pipe CYL 1+3 DW10B	5WS40042-Z	only for welded rails until 11/2004
Ford	3M5Q9N868DA	Pipe CYL 2+4 DW10B	5WS40043-Z	only for welded rails until 11/2004
PSA	1570F8	Pipe Pump DW10B	5WS40040-Z	only for welded rails until 11/2004
PSA	1570G0	Pipe CYL 1+3 DW10B	5WS40042-Z	only for welded rails until 11/2004
PSA	1570G1	Pipe CYL 2+4 DW10B	5WS40043-Z	only for welded rails until 11/2004
PSA	1920KV	CR Pump DW10B => replaced by 5WS40809-Z	5WS40019-Z	replaced by 5WS40809-Z
PSA	1920QH	CR Pump DW10B => replaced by 5WS40809-Z	5WS40019-Z	replaced by 5WS40809-Z
PSA	1980C0	Injector	Injector	see: 9647247280
PSA	1980E8	Injector	Injector	see: 9647247280
PSA	1980J4	Injector DW10B CLASS 4	5WS40156-4Z	
PSA	1980J5	Injector DW10B CLASS 5	5WS40156-Z	
PSA	1980J9	Injector DW10B MFMA CL7	A2C59513552	5WS40322-7
PSA	1980K0	Injector	Injector	5WS40322-8
PSA	1980K8	Injector DW10B MFMA	A2C59511603	5WS40441
PSA	1982A2	Leckage Clip DW10B	X11-800-001-003Z	
PSA	30725188	CR Pump DW10B (VOLVO NEW)	A2C59511600	5WS40380
PSA	9401982A43	Leckage Clip	X11-800-001-002Z	
PSA	9464644680	Leckage Clip DW10B	X11-800-001-003Z	
PSA	964454048A	CR Pump DW10B => replaced by 5WS40809-Z	5WS40019-Z	replaced by 5WS40809-Z
PSA	9645834480	Pipe Pump DW10B	5WS40040-Z	only for welded rails until 11/2004
PSA	9647247280	Injector	Injector	a) Class marking 4,5 or 6 => replace with 5WS40156 (same classification) b) without class marking => replace with 5WS40156 (class 5)
PSA	9654091880	CR Pump DW10B => replaced by 5WS40809-Z	5WS40019-Z	replaced by 5WS40809-Z
PSA	9654615580	CR Pump DW10B (VOLVO)	5WS40163-Z	
PSA	9657144580	Injector DW10B CLASS 4	5WS40156-4Z	see: 9647247280
PSA	9657144580	Injector DW10B CLASS 6	A2C59511601	see: 9647247280
PSA	9657144680	Injector DW10B CLASS 5	5WS40156-Z	
PSA	9657144680	Injector DW10B CLASS 5	5WS40156-Z	
PSA	9657144780	Injector DW10B CLASS 5	5WS40156-Z	
PSA	9658193780	CR Pump DW10B (VOLVO)	5WS40163-Z	
PSA	9658193980	CR Pump DW10B => replaced by 5WS40809-Z	5WS40019-Z	replaced by 5WS40809-Z
PSA	9658194180	Injector DW10B MFMA	A2C59511603	5WS40322
PSA	9659244280	Injector DW10B CLASS 5	5WS40156-Z	
PSA	9660334880	Injector DW10B MFMA	A2C59511603	can also be replaced by 5WS40322, but ECU calibration updated needed
PSA	9661683980	Injector	Injector	replaced by 5WS40156 (class 5 only)
PSA	9662021580	CR Pump DW10B (VOLVO NEW)	A2C59511600	5WS40380
PSA	9681900980	CR Pump DW10B => replaced by 5WS40809-Z	5WS40019-Z	replaced by 5WS40809-Z
PSA	9683023580	CR Pump DW10B => replaced by 5WS40809-Z	5WS40019-Z	replaced by 5WS40809-Z

Manufacturer	OE part number	Description	Order number	Remarks
PSA	9683623780	CR Pump DW10B => replaced by 5WS40809-Z	5WS40019-Z	replaced by 5WS40809-Z
PSA	9683624080	CR Pump DW10B (VOLVO NEW)	A2C59511600	5WS40380
PSA	9683627780	CR Pump DW10B => replaced by 5WS40809-Z	5WS40019-Z	replaced by 5WS40809-Z
PSA	9685704880	CR Pump DW10B => replaced by 5WS40809-Z	5WS40019-Z	replaced by 5WS40809-Z
PSA	9685704880	CR Pump DW10B => replaced by 5WS40809-Z	5WS40019-Z	replaced by 5WS40809-Z
PSA	9685705080	CR Pump DW10B (VOLVO NEW)	A2C59511600	5WS40380
PSA	9688153080	CR Pump DW10B => replaced by 5WS40809-Z	5WS40019-Z	replaced by 5WS40809-Z
Volvo	30725106	Injector	Injector	5WS40518
Volvo	31216456	Injector DW10B CLASS 6	A2C59511601	5WS40156-6
Volvo	8603177	Injector	Injector	see: 9647247280
Volvo	8603319	Injector	Injector	see: 9647247280
Volvo	8603527	CR Pump DW10B (VOLVO)	5WS40163-Z	
Volvo	8603564	Injector DW10B CLASS 5	5WS40156-Z	
Volvo	8603565	Injector DW10B CLASS 4	5WS40156-4Z	

DV6C TED4



Manufacturer

1.6l | 82 kW

Cross Carline: Peugeot, Citroën, Ford, Volvo, Mazda

Ford C-Max
 Ford Grand C-Max
 Ford Focus
 Ford Mondeo
 Ford Galaxy
 Ford S-Max
 Citroën Berlingo
 Citroën C3 Picasso
 Citroën C3
 Citroën C4 Picasso
 Citroën C4 Grand Picasso
 Citroën C4

Citroën C4 Air Cross
 Citroën C5
 Citroën DS3
 Citroën DS4
 Citroën DS5
 Peugeot 207
 Peugeot 208
 Peugeot 308
 Peugeot 308 CC
 Peugeot 508
 Peugeot 2008
 Peugeot 3008

Peugeot 4008
 Peugeot 5008
 Peugeot Partner
 Volvo C30
 Volvo V40
 Volvo S40
 Volvo S60
 Volvo V50
 Volvo V60
 Volvo V70
 Volvo S80

Notice

- Supply Pipes or Rails are not a part of the delivery scope.
- A2C59513555 replaced by A2C59513830
- This injector type is coded. The replacement injector has to be registered in the engine management unit.

Spare Parts

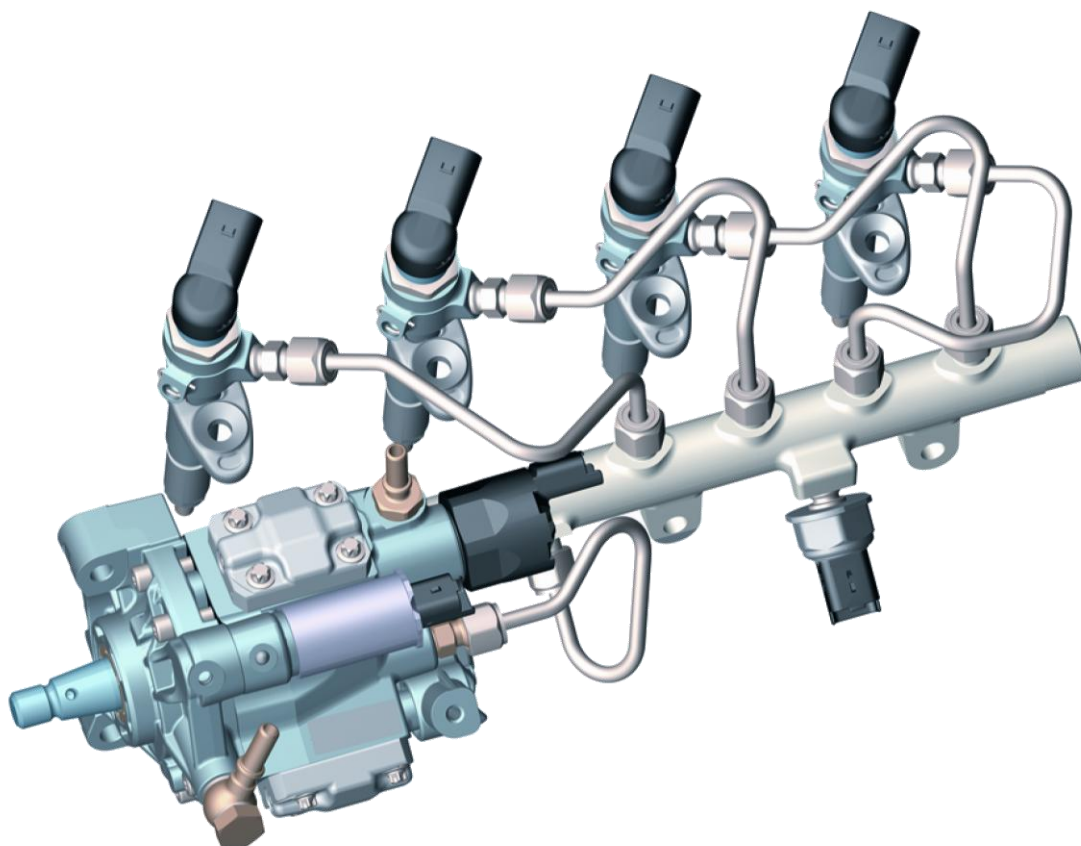
Category	Order number	Description
CR Pump	A2C59513830	CR Pump DV6 (StartStop)
CR Pump	A2C59513555	CR Pump DV6 => replaced by A2C59513830
CR Pump	A2C59513829	CR Pump DV6 (Ford)
Injector	A2C59513556	CR Injector DV6C
Misc	A2C59514037	O-ring gasket (return line)
Misc	A2C59514036	Copper Ring DV6C and Puma

Cross Reference

Manufacturer	OE part number	Description	Order number	Remarks
Continental	A2C53300211 / 5WS40657	CR Pump DV6 => replaced by A2C59513830	A2C59513555	
Continental	A2C53381555 / 5WS40894	CR Pump DV6 (StartStop)	A2C59513830	
Continental	A2C53384062 / 5WS40893	CR Pump DV6 (Ford)	A2C59513829	
Ford	1700411	O-ring gasket (return line)	A2C59514037	
Ford	1685796	CR Injector DV6C	A2C59513556	5WS40677
Ford	1685831	CR Pump DV6 (Ford)	A2C59513829	5WS40893 CR Pump DV6 Ford
Ford	1700379	Copper Ring DV6C and Puma	A2C59514036	
Ford	1707059	CR Pump DV6 (Ford)	A2C59513829	5WS40893 CR Pump DV6 Ford
Ford	1709667	CR Injector DV6C	A2C59513556	5WS40677
Ford	1720038	CR Pump DV6 (Ford)	A2C59513829	5WS40893 CR Pump DV6 Ford
Ford	1791017	CR Injector DV6C	A2C59513556	5WS40677
Ford	1812616	CR Injector DV6C	A2C59513556	5WS40677
Ford	AV6Q9A543AA	CR Pump DV6 (Ford)	A2C59513829	5WS40893 CR Pump DV6 Ford
Ford	AV6Q9A543CA	CR Pump DV6 (Ford)	A2C59513829	5WS40893 CR Pump DV6 Ford
Ford	AV6Q9A543CB	CR Pump DV6 (Ford)	A2C59513829	5WS40893 CR Pump DV6 Ford
Ford	AV6Q9E568AA	Copper Ring DV6C and Puma	A2C59514036	
Ford	AV6Q9F593AA	CR Injector DV6C	A2C59513556	5WS40677
Ford	AV6Q9F593AB	CR Injector DV6C	A2C59513556	5WS40677
Ford	AV6Q9T558AA	O-ring gasket (return line)	A2C59514037	
PSA	1920QX	CR Pump DV6 => replaced by A2C59513830	A2C59513555	5WS40657
PSA	1920RY	CR Pump DV6 (StartStop)	A2C59513830	5WS40894 CR Pump DV6 (Start&Stop)
PSA	1980ER	CR Injector DV6C	A2C59513556	5WS40677
PSA	1980ER	CR Injector DV6C	A2C59513556	5WS40677
PSA	1980ET	CR Injector DV6C	A2C59513556	5WS40677
PSA	1980R9	CR Injector DV6C	A2C59513556	5WS40677
PSA	198193	O-ring gasket (return line)	A2C59514037	
PSA	198194	Copper Ring DV6C and Puma	A2C59514036	
PSA	9670652580	CR Pump DV6 => replaced by A2C59513830	A2C59513555	5WS40657

Manufacturer	OE part number	Description	Order number	Remarks
PSA	9672605380	CR Pump DV6 (StartStop)	A2C59513830	5WS40894 CR Pump DV6 (Start&Stop)
PSA	9672605580	CR Injector DV6C	A2C59513556	5WS40677
PSA	9674973080	CR Injector DV6C	A2C59513556	5WS40677
PSA	9676289780	CR Injector DV6C	A2C59513556	5WS40677
PSA	9683957238A	CR Injector DV6C	A2C59513556	5WS40677
PSA	9683957280	CR Injector DV6C	A2C59513556	5WS40677
PSA	9802448680	CR Injector DV6C	A2C59513556	5WS40677
PSA	9802448680	CR Injector DV6C	A2C59513556	5WS40677
Volvo	31303994	CR Injector DV6C	A2C59513556	5WS40677
Volvo	31321487	CR Pump DV6 (Ford)	A2C59513829	5WS40893 CR Pump DV6 Ford
Volvo	31321711	Copper Ring DV6C and Puma	A2C59514036	
Volvo	31336585	CR Injector DV6C	A2C59513556	5WS40677
Volvo	31336623	CR Pump DV6 (Ford)	A2C59513829	5WS40893 CR Pump DV6 Ford
Volvo	36001726	CR Injector DV6C	A2C59513556	5WS40677
Volvo	36001727	CR Injector DV6C	A2C59513556	5WS40677
Volvo	36001728	CR Injector DV6C	A2C59513556	5WS40677
Volvo	36001729	CR Injector DV6C	A2C59513556	5WS40677

K9K Euro 4



Manufacturer

1.5l | 66kW | 85 kW

Nissan Qashqai
Nissan Note
Nissan Tiida

Renault Clio
Renault Megane
Renault Modus

Renault Scenic
Renault Kangoo
Renault Grand Kangoo

Notice

- Copper Rings are not a part of the delivery scope.
- Supply Pipes are not a part of the delivery scope.

Spare Parts

Category	Order number	Description
CR Pump	A2C59511605	CR Pump K9K EU4
Injector	A2C59511606	Injector K9K EU4
Misc	X11-800-001-002Z	Leckage Clip
Rail	A2C59511607	Rail With Sensor K9K EU4

Category	Order number	Description
Repair Part	A2C59506225	Pressure Control Valve (PCV)
Repair Part	A2C53259841Z	Volume Control Valve (VCV) K9K
Repair Part	X39-800-300-005Z	Pressure Control Valve (PCV) => replaced by A2C59506225

Cross Reference

Manufacturer	OE part number	Description	Order number	Remarks
Continental	A2C20000754 / 5WS40153	CR Pump K9K EU4	A2C59511605	
Nissan	16600 00Q0H	Injector K9K EU4	A2C59511606	
Nissan	16600 00Q0P	Injector K9K EU4	A2C59511606	
Nissan	16600 00Q1T	Injector K9K EU4	A2C59511606	
Nissan	16700 00Q0N	CR Pump K9K EU4	A2C59511605	5WS40153
Nissan	16700 00Q1C	CR Pump K9K EU4	A2C59511605	5WS40153
Nissan	16700 00Q1L	CR Pump K9K EU4	A2C59511605	5WS40153
Renault	166009445R	Injector K9K EU4	A2C59511606	
Renault	167008859R	CR Pump K9K EU4	A2C59511605	5WS40153
Renault	7701477442	Leckage Clip	X11-800-001-002Z	
Renault	8200380253	Injector K9K EU4	A2C59511606	replaced by 8200842205
Renault	8200397346	Rail With Sensor K9K EU4	A2C59511607	5WS40154
Renault	8200430599	CR Pump K9K EU4	A2C59511605	replaced by 8200 663 258
Renault	8200579287	Rail With Sensor K9K EU4	A2C59511607	5WS40154
Renault	8200663258	CR Pump K9K EU4	A2C59511605	5WS40153
Renault	8200815617	Rail With Sensor K9K EU4	A2C59511607	5WS40154
Renault	8200821184	CR Pump K9K EU4	A2C59511605	5WS40153
Renault	8200842205	Injector K9K EU4	A2C59511606	
Renault	8200845671	Rail With Sensor K9K EU4	A2C59511607	5WS40154
Renault	8201042300	Injector K9K EU4	A2C59511606	

K9K Euro 5



Manufacturer

1.5l | 66kW | 85 kW

Dacia Duster
Nissan Juke
Nissan Qashquai / Qashquai +2
Nissan Cube

Nissan NV200
Renault Fluence
Renault Latitude
Renault Megane III

Renault Megane CC
Renault Scenic III
Renault Grand Scenic III
Renault Laguna

Notice

- Copper Rings are not a part of the delivery scope.
- This injector type is coded. The replacement injector has to be registered in the engine management unit.

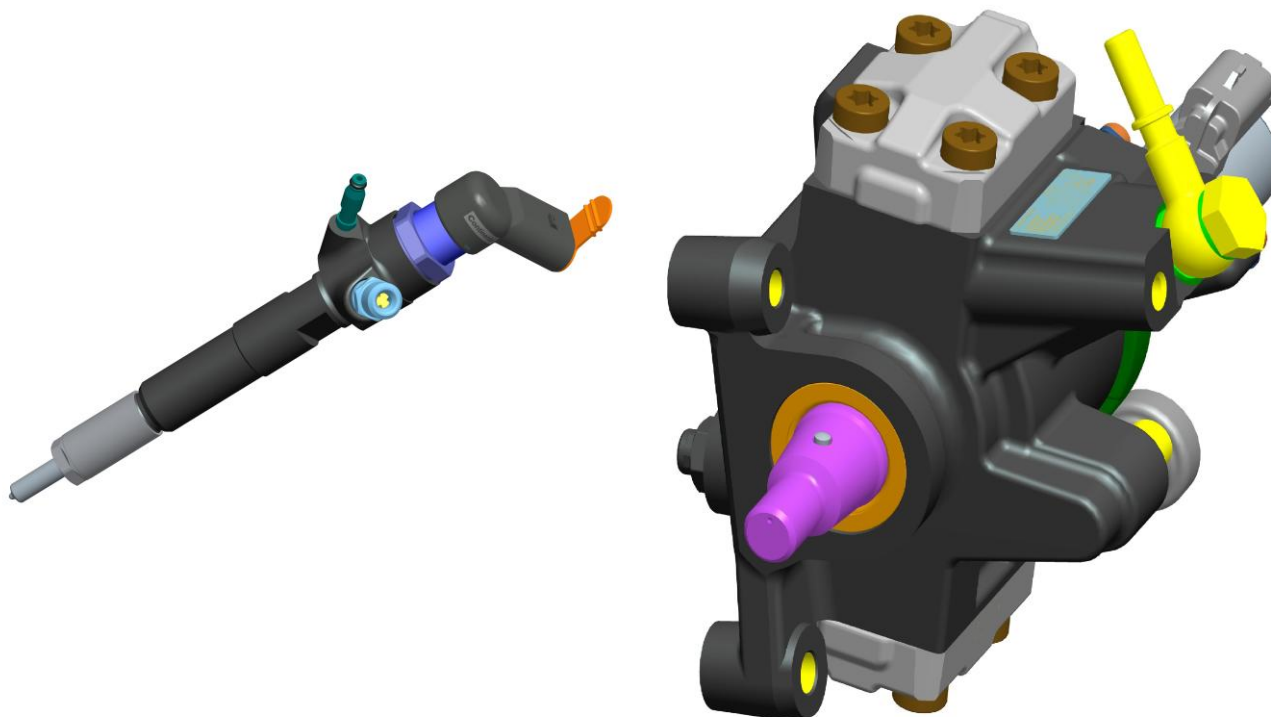
Spare Parts

Category	Order number	Description
CR Pump	A2C59513595	CR Pump K9K EU5
Injector	A2C59513484	Injector K9K EU5
Rail	A2C59513750	Rail K9K EU5 (with sensor)

Cross Reference

Manufacturer	OE part number	Description	Order number	Remarks
Continental	A2C53252602 / 5WS40565	CR Pump K9K EU5	A2C59513595	
Dacia	166008052R	Injector K9K EU5	A2C59513484	5WS40536
Dacia	167000938R	CR Pump K9K EU5	A2C59513595	5WS40565
Dacia	8200704200	CR Pump K9K EU5	A2C59513595	5WS40565
Dacia	8200903034	Injector K9K EU5	A2C59513484	5WS40536
Nissan	16600 00Q1F	Injector K9K EU5	A2C59513484	5WS40536
Nissan	16700 00Q1F	CR Pump K9K EU5	A2C59513595	5WS40565
Nissan	16700 00Q1M	CR Pump K9K EU5	A2C59513595	5WS40565
Renault	166008052R	Injector K9K EU5	A2C59513484	5WS40536
Renault	167000938R	CR Pump K9K EU5	A2C59513595	5WS40565
Renault	8200619296	Rail K9K EU5 (with sensor)	A2C59513750	5WS40440
Renault	8200702621	CR Pump K9K EU5	A2C59513595	5WS40565
Renault	8200704200	CR Pump K9K EU5	A2C59513595	5WS40565
Renault	8200704212	Rail K9K EU5 (with sensor)	A2C59513750	5WS40440
Renault	8200903034	Injector K9K EU5	A2C59513484	5WS40536

K9K Gen6



Manufacturer

1.5l

Dacia Lodgy
Renault Megane
Mercedes A 180 CDI

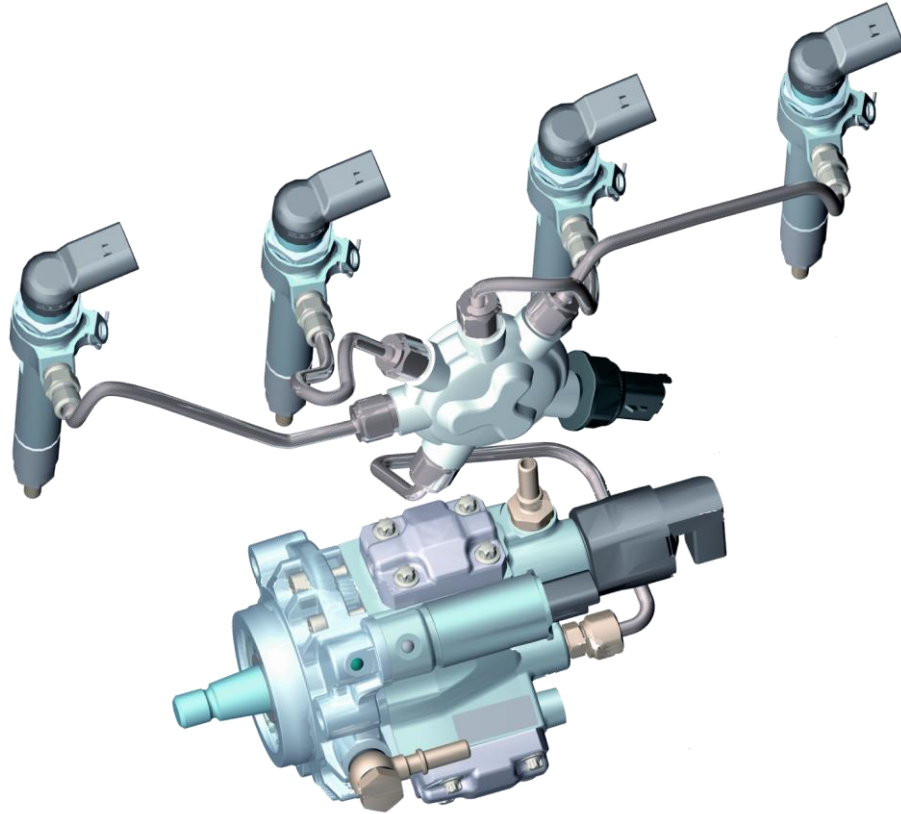
Mercedes B 180 CDI
Mercedes Citan 108 CDI
Mercedes Citan 109 CDI

Mercedes Citan 111 CDI

Cross Reference

Manufacturer	OE part number	Description	Remarks
Mercedes-Benz	A 607 070 01 01	CR Pump K9K Gen6	not released yet for IAM
Mercedes-Benz	A 607 070 01 95	Injector K9K Gen6	not released yet for IAM
Renault	166006212R	Injector K9K Gen6	not released yet for IAM
Renault	167008557R	CR Pump K9K Gen6	not released yet for IAM
Renault	8201041272	Injector K9K Gen6	not released yet for IAM
Renault	8201100113	Injector K9K Gen6	not released yet for IAM

Lynx



Manufacturer

1.8l | 85 kW | 92 kW

Ford Focus
Ford C-Max
Ford Turneo Connect

Ford Galaxy
Ford Mondeo
Ford S-Max

Ford Transit

Notice

- Please note that we cannot offer you any Rails or Supply pipes for this system.

Spare Parts

Category	Order number	Description
CR Pump	A2C59511609	CR Pump LYNX
Injector	A2C59511611	Injector LYNX_V227
Injector	A2C59511610	Injector LYNX
Misc	X11-800-002-003Z	Copper Ring (2.0mm)

Category	Order number	Description
Misc	X11-800-001-003Z	Leckage Clip DW10B
Repair Part	A2C59506225	Pressure Control Valve (PCV)
Repair Part	X39-800-300-005Z	Pressure Control Valve (PCV) => replaced by A2C59506225
Repair Part	X39-800-300-006Z	Volume Control Valve (VCV) Screwed

Cross Reference

Manufacturer	OE part number	Description	Order number	Remarks
Continental	A2C20003032 / 5WS40094	CR Pump LYNX	A2C59511609	
Ford	1355051	Injector LYNX	A2C59511610	5WS40086
Ford	1432322	Injector LYNX_V227	A2C59511611	5WS40250
Ford	1543842	CR Pump LYNX	A2C59511609	5WS40094
Ford	4M5Q9B395AF	CR Pump LYNX	A2C59511609	5WS40094
Ford	4M5Q9F593AD	Injector LYNX	A2C59511610	5WS40086
Ford	7T1Q9F593AB	Injector LYNX_V227	A2C59511611	5WS40250

VW Common Rail



Manufacturer

1,6l Cross Carline

Audi A1 / A1 Sportback

Audi A3 / A3 Sportback

Seat Altea / Altea XL

Seat Ibiza / Ibiza Sportcoupe

Seat Leon

Seat Toledo

Skoda Fabia

Skoda Octavia

Skoda Roomster / Roomster Praktik

Skoda Superb

Skoda Yeti

Volkswagen Beetle

Volkswagen Polo

Volkswagen Golf / Golf Plus

Volkswagen Jetta

Volkswagen Passat / Passat Variant

Volkswagen Passat Touran

Notice

- This injector type is coded. The replacement injector has to be registered in the engine management unit.
- Supply Pipes or Rails are not a part of the delivery scope.

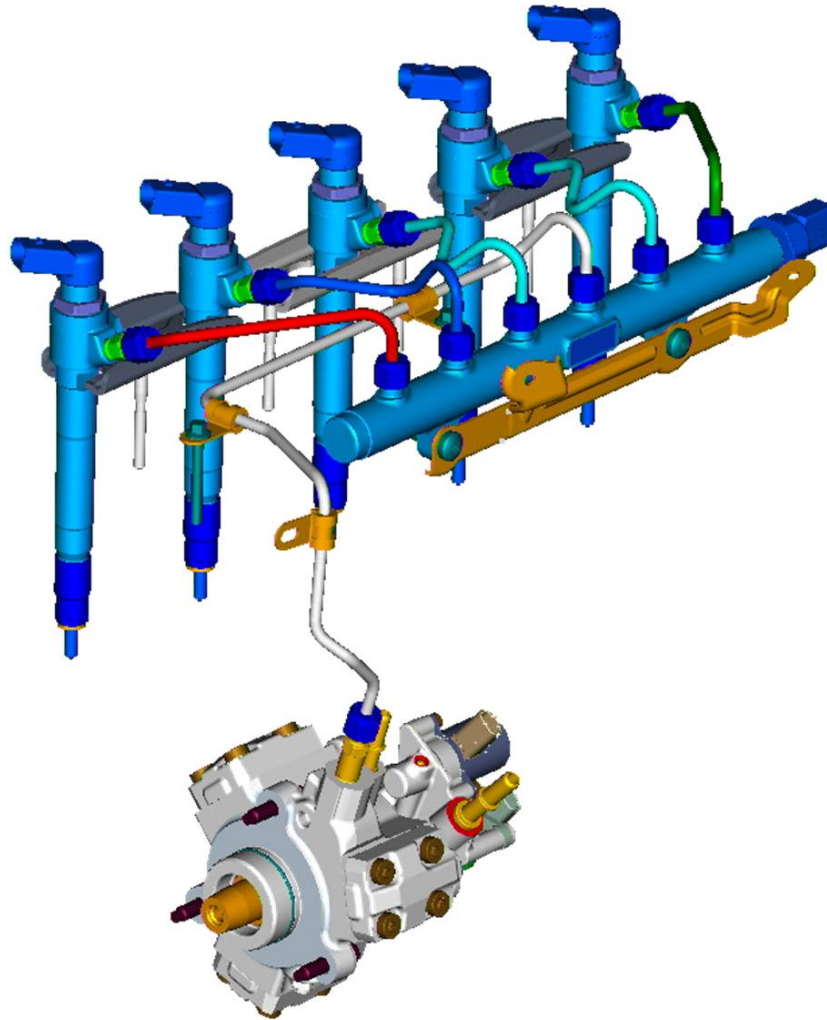
Spare Parts

Category	Order number	Description
CR Pump	A2C59517047	CR VW Start Stop pump
CR Pump	A2C59517049	CR VW ITP less pump
Injector	A2C59513554	Injektor VW CR
Misc	X11-800-001-002Z	Leckage Clip
Misc	A2C59516873	Copper Ring IAM (VW)

Cross Reference

Manufacturer	OE part number	Description	Order number	Remarks
Audi	03L 130 755 AH	CR VW Start Stop pump	A2C59517047	5WS40836
Audi	03L 130 755 AJ	CR VW ITP less pump	A2C59517049	5WS40891
Audi	03L 130 755 AL	CR VW Start Stop pump	A2C59517047	5WS40836
Audi	03L 130 755 AN	CR VW ITP less pump	A2C59517049	5WS40891
Audi	03L 130 755 E	CR VW Start Stop pump	A2C59517047	5WS40836
Audi	03L 130 755 H	CR VW ITP less pump	A2C59517049	5WS40891
Continental	A2C59517053 / 5WS40836	CR VW Start Stop pump	A2C59517047	
Continental	A2C59517054 / 5WS40891	CR VW ITP less pump	A2C59517049	
Seat	03L 130 755 AH	CR VW Start Stop pump	A2C59517047	5WS40836
Seat	03L 130 755 AJ	CR VW ITP less pump	A2C59517049	5WS40891
Seat	03L 130 755 AL	CR VW Start Stop pump	A2C59517047	5WS40836
Seat	03L 130 755 AN	CR VW ITP less pump	A2C59517049	5WS40891
Seat	03L 130 755 E	CR VW Start Stop pump	A2C59517047	5WS40836
Seat	03L 130 755 H	CR VW ITP less pump	A2C59517049	5WS40891
Skoda	03L 130 755 AH	CR VW Start Stop pump	A2C59517047	5WS40836
Skoda	03L 130 755 AJ	CR VW ITP less pump	A2C59517049	5WS40891
Skoda	03L 130 755 AL	CR VW Start Stop pump	A2C59517047	5WS40836
Skoda	03L 130 755 AN	CR VW ITP less pump	A2C59517049	5WS40891
Skoda	03L 130 755 E	CR VW Start Stop pump	A2C59517047	5WS40836
Skoda	03L 130 755 H	CR VW ITP less pump	A2C59517049	5WS40891
VW	03L 130 755 AH	CR VW Start Stop pump	A2C59517047	5WS40836
VW	03L 130 755 AJ	CR VW ITP less pump	A2C59517049	5WS40891
VW	03L 130 755 AL	CR VW Start Stop pump	A2C59517047	5WS40836
VW	03L 130 755 AN	CR VW ITP less pump	A2C59517049	5WS40891
VW	03L 130 755 E	CR VW Start Stop pump	A2C59517047	5WS40836
VW	03L 130 755 H	CR VW ITP less pump	A2C59517049	5WS40891
VW	03L130277B	Injektor VW CR	A2C59513554	5WS40539
VW	03L130447	Leckage Clip	X11-800-001-002Z	
VW	03L130519	Copper Ring IAM (VW)	A2C59516873	

Puma



Manufacturer

2.2l 4 cyl. | 3.2l 5 cyl.

Ford Ranger
Mazda BT-50
Ford Turneo Custom Bus

Ford Transit
Citroën Jumper
Peugeot Boxer

Land Rover Defender

Notice

- Supply Pipes or Rails are not a part of the delivery scope.
- This injector type is coded. The replacement injector has to be registered in the engine management unit.

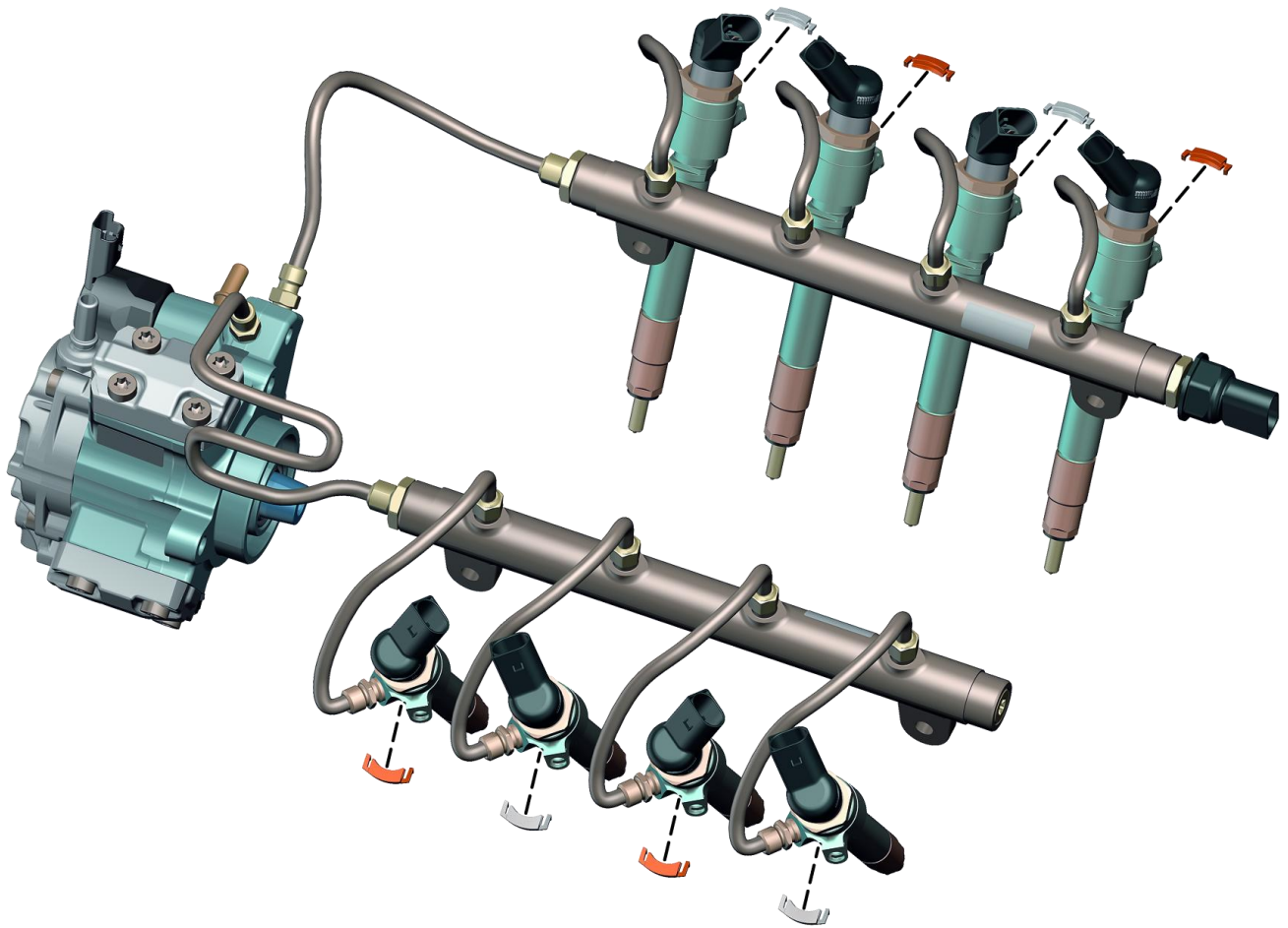
Spare Parts

Category	Order number	Description
CR Pump	A2C59517045	CR Pump Puma Oldham
CR Pump	A2C59517043	CR Pump Puma
Injector	A2C59517051	Injector Puma
Misc	A2C59514036	Copper Ring DV6C and Puma

Cross Reference

Manufacturer	OE part number	Description	Order number	Remarks
Continental	A2C59517055 / 5WS40694	CR Pump Puma Oldham	A2C59517045	
Continental	A2C59517056 / 5WS40695	CR Pump Puma	A2C59517043	
Ford	1717702	CR Pump Puma	A2C59517043	5WS40695
Ford	1731745	CR Pump Puma Oldham	A2C59517045	5WS40694
Ford	1745686	Copper Ring DV6C and Puma	A2C59514036	
Ford	1746967	Injector Puma	A2C59517051	A2C53307917
Ford	1746967	Injector Puma	A2C59517051	5WS40745
Ford	1840747	Injector Puma	A2C59517051	5WS40745
Ford	1841726	CR Pump Puma Oldham	A2C59517045	5WS40694
Ford	1841728	CR Pump Puma	A2C59517043	5WS40695
Ford	1849878	CR Pump Puma	A2C59517043	5WS40695
Ford	BK2Q 9K546AG	Injector Puma	A2C59517051	5WS40745
Ford	BK2Q 9M577AA	Copper Ring DV6C and Puma	A2C59514036	
Ford	BK2Q-9B395AD	CR Pump Puma Oldham	A2C59517045	5WS40694
Ford	BK3Q-9B395AD	CR Pump Puma	A2C59517043	5WS40695
Landrover	LR029969	CR Pump Puma	A2C59517043	5WS40695
Landrover	LR029969	CR Pump Puma	A2C59517043	5WS40695
Landrover	LR052872	CR Pump Puma	A2C59517043	5WS40695
Landrover	LR052872	CR Pump Puma	A2C59517043	5WS40695
PSA	1840747	Injector Puma	A2C59517051	A2C53307917
PSA	9678171880	CR Pump Puma Oldham	A2C59517045	5WS40694
PSA	9801125480	Injector Puma	A2C59517051	5WS40745
PSA	9801125480	Injector Puma	A2C59517051	A2C53307917
PSA	9801621780	Copper Ring DV6C and Puma	A2C59514036	

LionV8



Manufacturer

3.6l V8 Diesel

Land Rover Freelander

Range Rover Sport

Notice

- Two types of injector (with red or with white clip) are available. The angle of injector's drive is different.

Spare Parts

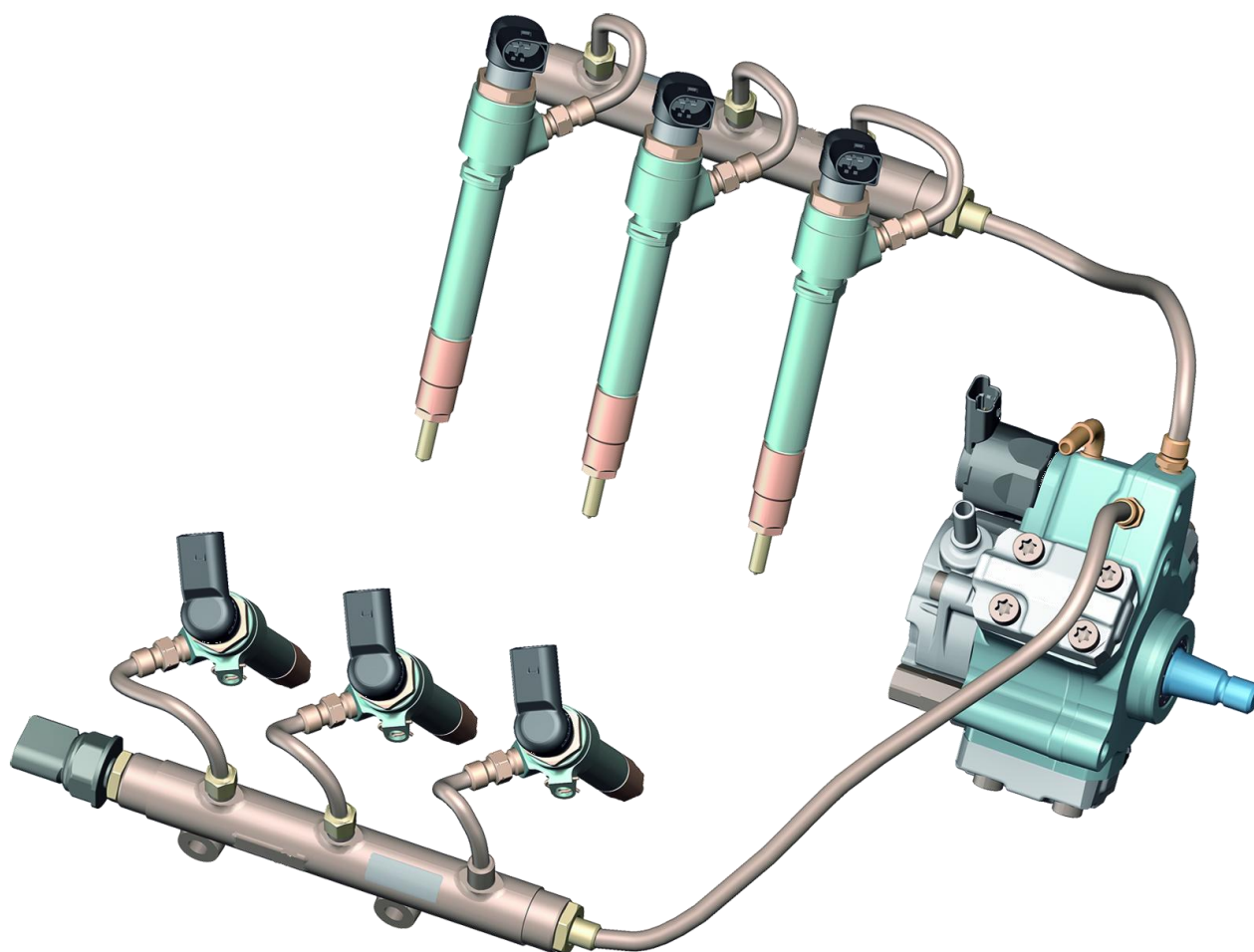
Category	Order number	Description
CR Pump	A2C59513481	CR Pump LionV8
Injector	A2C59513597	Injector LionV8 (174, red clip)
Injector	A2C59513596	Injector LionV8 (white clip)
Misc	X11-800-001-002Z	Leakage Clip

Category	Order number	Description
Misc	X11-800-002-002Z	Copper Ring (1.5mm)
Misc	A2C59511320	Injector Clamp Lion
Rail	A2C59513699	Rail LH LionV8
Rail	A2C59513512	Rail RH With Sensor LionV8

Cross Reference

Manufacturer	OE part number	Description	Order number	Remarks
Ford	1459570	Rail LH LionV8	A2C59513699	5WS40256
Ford	1459571	Rail RH With Sensor LionV8	A2C59513512	5WS40255
Ford	6H4Q9D280AB	Rail LH LionV8	A2C59513699	5WS40256
Ford	6H4Q9D280AC	Rail LH LionV8	A2C59513699	5WS40256
Ford	6H4Q9D280BB	Rail RH With Sensor LionV8	A2C59513512	5WS40255
Landrover	6H4Q9D280BC	Rail RH With Sensor LionV8	A2C59513512	5WS40255
Landrover	6H4Q9K546DB	Injector LionV8 (white clip)	A2C59513596	5WS40253
Landrover	6H4Q9K546EB	Injector LionV8 (174, red clip)	A2C59513597	5WS40387
Landrover	LR005055	Rail LH LionV8	A2C59513699	5WS40256
Landrover	LR005056	Rail RH With Sensor LionV8	A2C59513512	5WS40255
Landrover	LR009737	CR Pump LionV8	A2C59513481	5WS40254
Landrover	LR020018	Rail LH LionV8	A2C59513699	5WS40256
Landrover	LR020019	Rail RH With Sensor LionV8	A2C59513512	5WS40255

LionV6 Upgrade



Manufacturer

2.7l V6 Diesel

Land Rover Discovery
Land Rover Freelander

Range Rover Sport
Jaguar X Type

Notice

- Supply Pipes are not a part of the delivery scope.

Spare Parts

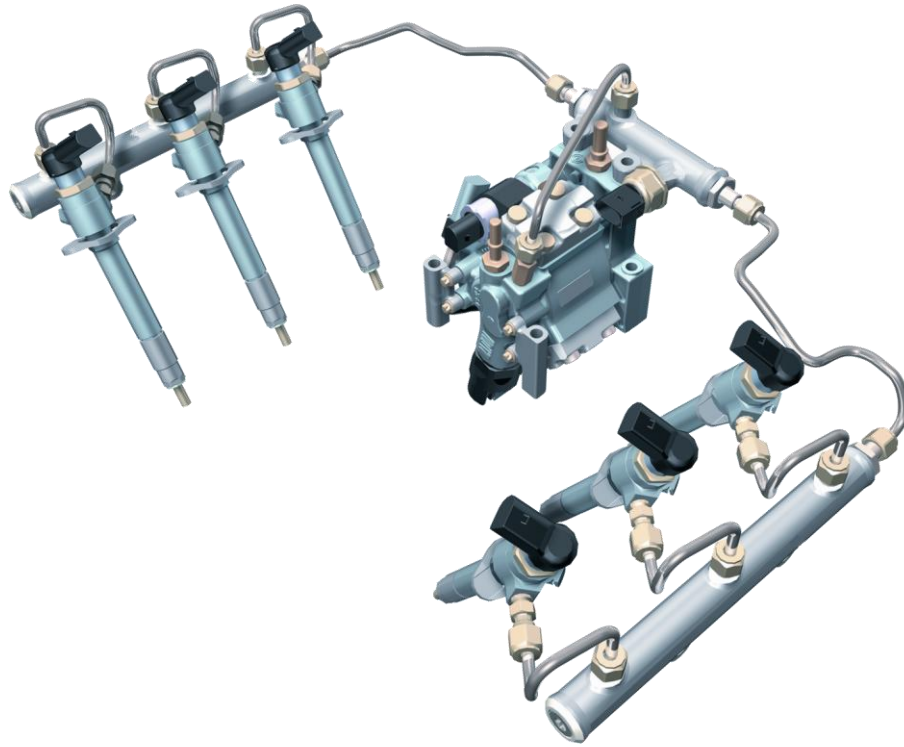
Category	Order number	Description
CR Pump	A2C59513482	CR Pump LionV6 upgrade
Injector	A2C59513553	Injector LION V6 UPGRADE

Category	Order number	Description
Misc	X11-800-001-002Z	Leckage Clip
Misc	X11-800-002-002Z	Copper Ring (1.5mm)
Misc	A2C59511320	Injector Clamp Lion
Rail	A2C59513703	Rail LH (with sensor) LionV6 Upgrade
Rail	A2C59513702	Rail RH LionV6 Upgrade

Cross Reference

Manufacturer	OE part number	Description	Order number	Remarks
Continental	A2C20003282 / 5WS40273	CR Pump LionV6 upgrade	A2C59513482	
Ford	1454748	CR Pump LionV6 upgrade	A2C59513482	5WS40273
Ford	1468884	CR Pump LionV6 upgrade	A2C59513482	5WS40273
Ford	1468887	Rail RH LionV6 Upgrade	A2C59513702	5WS40271
Ford	1468894	Rail LH (with sensor) LionV6 Upgrade	A2C59513703	5WS40272
Ford	1541452	CR Pump LionV6 upgrade	A2C59513482	5WS40273
Ford	7H2Q9B395CC	CR Pump LionV6 upgrade	A2C59513482	5WS40273
Ford	7H2Q9B395CD	CR Pump LionV6 upgrade	A2C59513482	5WS40273
Ford	7H2Q9B395CE	CR Pump LionV6 upgrade	A2C59513482	5WS40273
Ford	7H2Q9B395CF	CR Pump LionV6 upgrade	A2C59513482	5WS40273
Ford	7H2Q9B395CG	CR Pump LionV6 upgrade	A2C59513482	5WS40273
Ford	7H2Q9B395CH	CR Pump LionV6 upgrade	A2C59513482	5WS40273
Ford	7H2Q9D280CD	Rail LH (with sensor) LionV6 Upgrade	A2C59513703	5WS40272
Ford	7H2Q9D280CE	Rail LH (with sensor) LionV6 Upgrade	A2C59513703	5WS40272
Ford	7H2Q9D280DD	Rail RH LionV6 Upgrade	A2C59513702	5WS40271
Ford	7H2Q9D280DE	Rail RH LionV6 Upgrade	A2C59513702	5WS40271
Ford	7H2Q9K546CB	Injector LION V6 UPGRADE	A2C59513553	5WS40252
Ford	LR004712	CR Pump LionV6 upgrade	A2C59513482	5WS40273
Landrover	1489401	Injector LION V6 UPGRADE	A2C59513553	5WS40252
Landrover	7H2Q9B395CH	CR Pump LionV6 upgrade	A2C59513482	5WS40273
Landrover	7H2Q9K546CB	Injector LION V6 UPGRADE	A2C59513553	5WS40252
Landrover	LR005549	CR Pump LionV6 upgrade	A2C59513482	5WS40273
Landrover	LR005549	CR Pump LionV6 upgrade	A2C59513482	5WS40273
Landrover	LR005551	Rail RH LionV6 Upgrade	A2C59513702	5WS40271
Landrover	LR005553	Rail LH (with sensor) LionV6 Upgrade	A2C59513703	5WS40272
Landrover	LR006496	Injector LION V6 UPGRADE	A2C59513553	5WS40252
Landrover	LR008831	CR Pump LionV6 upgrade	A2C59513482	5WS40273
Landrover	LR008837	Injector LION V6 UPGRADE	A2C59513553	5WS40252
Landrover	LR009666	CR Pump LionV6 upgrade	A2C59513482	5WS40273
Landrover	LR017367	CR Pump LionV6 upgrade	A2C59513482	5WS40273
Landrover	LR020020	Rail LH (with sensor) LionV6 Upgrade	A2C59513703	5WS40272
Landrover	LR020021	Rail RH LionV6 Upgrade	A2C59513702	5WS40271
Landrover	LR049606	CR Pump LionV6 upgrade	A2C59513482	5WS40273

LionV6



Manufacturer

2.7l | 4-valve engine | Euro 3 / Euro 4

Citroën C5
Citroën C6
Jaguar S-Type

Jaguar XF
Peugeot 407
Peugeot 607

Landrover Discovery
Range Rover Sport

Notice

- Supply Pipes are not a part of the delivery scope.

Spare Parts

Category	Order number	Description
CR Pump	A2C59511314	CR Pump LION V6/DT17
Injector	A2C59511316	Injector LION V6/DT17 EURO 4
Injector	A2C59511315	Injector LION V6 JAGUAR EURO 3
Injector	A2C59511364	Injector LION V6 LAND ROVER
Misc	A2C59511320	Injector Clamp Lion
Misc	X11-800-002-002Z	Copper Ring (1.5mm)

Category	Order number	Description
Misc	X11-800-001-002Z	Leckage Clip
Rail	A2C59511319	Rail RIGHT LION V6/DT17
Rail	A2C59511317	Diverter Rail LION V6/DT17
Rail	A2C59511318	Rail LEFT LION V6/DT17
Repair Part	A2C59506225	Pressure Control Valve (PCV)
Repair Part	A2C20000719Z	Volume Control Valve (VCV) LionV6
Repair Part	X39-800-300-005Z	Pressure Control Valve (PCV) => replaced by A2C59506225

Cross Reference

Manufacturer	OE part number	Description	Order number	Remarks
Continental	A2C20003757 / 5WS40157	CR Pump LION V6/DT17	A2C59511314	
Ford	1334919	CR Pump LION V6/DT17	A2C59511314	5WS40157
Ford	1369551	Rail LEFT LION V6/DT17	A2C59511318	5WS40129
Ford	1369552	Rail RIGHT LION V6/DT17	A2C59511319	5WS40130
Ford	1387695	Diverter Rail LION V6/DT17	A2C59511317	5WS40128
Ford	1451604	CR Pump LION V6/DT17	A2C59511314	5WS40157
Ford	1489400	Injector LION V6 LAND ROVER	A2C59511364	5WS40249
Ford	1544405	CR Pump LION V6/DT17	A2C59511314	5WS40157
Ford	4H2Q9K546AF	Injector LION V6 LAND ROVER	A2C59511364	5WS40249
Ford	4R8Q9C066AE	Diverter Rail LION V6/DT17	A2C59511317	5WS40128
Ford	4R8Q9D280AC	Rail LEFT LION V6/DT17	A2C59511318	5WS40129
Ford	4R8Q9D280BC	Rail RIGHT LION V6/DT17	A2C59511319	5WS40130
Ford	4S7Q9B395AJ	CR Pump LION V6/DT17	A2C59511314	5WS40157
Ford	4S7Q9B395AK	CR Pump LION V6/DT17	A2C59511314	5WS40157
Ford	4S7Q9B395AL	CR Pump LION V6/DT17	A2C59511314	5WS40157
Ford	4S7Q9F524AB	Leckage Clip	X11-800-001-002Z	
Ford	4S7Q9K546AF	Injector LION V6 JAGUAR EURO 3	A2C59511315	5WS40057
Ford	4S7Q9K546AG	Injector LION V6 JAGUAR EURO 3	A2C59511315	5WS40057
Ford	4S7Q9L535AC	Injector Clamp Lion	A2C59511320	5WS40246
Ford	4S7Q9M577AA	Copper Ring (1.5mm)	X11-800-002-002Z	
Ford	5U3Q9K546AA	Injector LION V6/DT17 EURO 4	A2C59511316	5WS40103
Ford	8X2Q9A372AA	Cable Wire For Straight PCV	A2C59513201	
Jaguar	02C2C40185	CR Pump LION V6/DT17	A2C59511314	5WS40157
Jaguar	02C2C40862	Cable Wire For Straight PCV	A2C59513201	
Jaguar	02C2S40004	Injector LION V6/DT17 EURO 4	A2C59511316	5WS40103
Jaguar	02C2S40185	CR Pump LION V6/DT17	A2C59511314	5WS40157
Jaguar	02XR856939	Injector LION V6 JAGUAR EURO 3	A2C59511315	5WS40057
Jaguar	C2S21181	Copper Ring (1.5mm)	X11-800-002-002Z	
Jaguar	C2S24003	Injector Clamp Lion	A2C59511320	5WS40246
Jaguar	C2S29876	Diverter Rail LION V6/DT17	A2C59511317	5WS40128
Jaguar	C2S32276	Leckage Clip	X11-800-001-002Z	
Jaguar	C2S40004	Injector LION V6/DT17 EURO 4	A2C59511316	5WS40103
Jaguar	C2S43326	Diverter Rail LION V6/DT17	A2C59511317	5WS40128
Jaguar	JDE2458	Rail LEFT LION V6/DT17	A2C59511318	5WS40129
Jaguar	JDE2459	Rail RIGHT LION V6/DT17	A2C59511319	5WS40130
Jaguar	JDE3099	CR Pump LION V6/DT17	A2C59511314	5WS40157
Jaguar	JDE4062	Rail LEFT LION V6/DT17	A2C59511318	5WS40129
Jaguar	JDE4063	Rail RIGHT LION V6/DT17	A2C59511319	5WS40130
Jaguar	XR845127	Injector LION V6 JAGUAR EURO 3	A2C59511315	5WS40057

Manufacturer	OE part number	Description	Order number	Remarks
Jaguar	XR856939	Injector LION V6 JAGUAR EURO 3	A2C59511315	5WS40057
Landrover	4H2Q9K546AF	Injector LION V6 LAND ROVER	A2C59511364	5WS40249
Landrover	LR004295	CR Pump LION V6/DT17	A2C59511314	5WS40157
Landrover	LR005958	CR Pump LION V6/DT17	A2C59511314	5WS40157
Landrover	LR005961	Injector LION V6 LAND ROVER	A2C59511364	5WS40249
Landrover	LR006495	Injector LION V6 LAND ROVER	A2C59511364	5WS40249
Landrover	LR008836	Injector LION V6 LAND ROVER	A2C59511364	5WS40249
Landrover	LR009804	CR Pump LION V6/DT17	A2C59511314	5WS40157
Landrover	LR024834	CR Pump LION V6/DT17	A2C59511314	5WS40157
PSA	1570G8	Rail LEFT LION V6/DT17	A2C59511318	5WS40129
PSA	1570G9	Rail RIGHT LION V6/DT17	A2C59511319	5WS40130
PSA	1570H4	Diverter Rail LION V6/DT17	A2C59511317	5WS40128
PSA	1579KK	Leckage Clip	X11-800-001-002Z	
PSA	1920HJ	CR Pump LION V6/DT17	A2C59511314	5WS40157
PSA	1980H1	Injector LION V6/DT17 EURO 4	A2C59511316	5WS40103
PSA	198167	Copper Ring (1.5mm)	X11-800-002-002Z	
PSA	1982A4	Leckage Clip	X11-800-001-002Z	
PSA	1982C6	Injector Clamp Lion	A2C59511320	
PSA	9648917080	Injector LION V6/DT17 EURO 4	A2C59511316	5WS40103
PSA	9653969680	Rail LEFT LION V6/DT17	A2C59511318	5WS40129
PSA	9653969780	Rail RIGHT LION V6/DT17	A2C59511319	5WS40130
PSA	9655029880	CR Pump LION V6/DT17	A2C59511314	5WS40157
PSA	9655714780	Diverter Rail LION V6/DT17	A2C59511317	5WS40128
PSA	9656322980	Copper Ring (1.5mm)	X11-800-002-002Z	
PSA	9658676080	Injector Clamp Lion	A2C59511320	5WS40246

Cross Reference

Ford

OE part number	Description	Order number	Remarks
1700411	O-ring gasket (return line)	A2C59514037	
1231950	Pipe Pump DW10B	5WS40040-Z	only for welded rails until 11/2004
1231951	Pipe CYL 1+3 DW10B	5WS40042-Z	only for welded rails until 11/2004
1334919	CR Pump LION V6/DT17	A2C59511314	5WS40157
1346476	Injector EURO 3 DV4	5WS40148-Z	
1348623	Injector EURO 3 DV4	5WS40148-Z	
1348625	Copper Ring (2,5mm 6-Nose)	X11-800-002-004Z	
1355051	Injector LYNX	A2C59511610	5WS40086
1369551	Rail LEFT LION V6/DT17	A2C59511318	5WS40129
1369552	Rail RIGHT LION V6/DT17	A2C59511319	5WS40130
1373546	CR Pump DW10B => replaced by 5WS40809-Z	5WS40019-Z	replaced by 5WS40809-Z
1373549	Injector DW10B CLASS 4	5WS40156-4Z	
1373550	Injector DW10B CLASS 5	5WS40156-Z	
1376439	CR Pump DW10B (VOLVO NEW)	A2C59511600	5WS40380
1387695	Diverter Rail LION V6/DT17	A2C59511317	5WS40128
1404786	CR Pump DV4	5WS40008-Z	
1432322	Injector LYNX_V227	A2C59511611	5WS40250
1451604	CR Pump LION V6/DT17	A2C59511314	5WS40157
1454748	CR Pump LionV6 upgrade	A2C59513482	5WS40273
1459570	Rail LH LionV8	A2C59513699	5WS40256
1459571	Rail RH With Sensor LionV8	A2C59513512	5WS40255
1459572	CR Pump LionV8	A2C59513481	5WS40254
1468884	CR Pump LionV6 upgrade	A2C59513482	5WS40273
1468887	Rail RH LionV6 Upgrade	A2C59513702	5WS40271
1468894	Rail LH (with sensor) LionV6 Upgrade	A2C59513703	5WS40272
1469709	Injector EU4 DV4 => replaced by A2C59511612	5WS40149-Z	replaced by A2C59511612
1483820	Injector DW10B CLASS 6	A2C59511601	5WS40156-6
1488987	CR Pump DV4	5WS40008-Z	
1489400	Injector LION V6 LAND ROVER	A2C59511364	5WS40249
1494737	CR Pump LionV8	A2C59513481	5WS40254
1497896	CR Pump DV4	5WS40008-Z	
1497896	CR Pump DV4	5WS40008-Z	
1508245	CR Pump DW10B (VOLVO NEW)	A2C59511600	5WS40380
1508245	CR Pump DW10B (VOLVO NEW)	A2C59511600	5WS40380
1541452	CR Pump LionV6 upgrade	A2C59513482	5WS40273
1541974	CR Pump DW10B (VOLVO NEW)	A2C59511600	5WS40380
1543081	CR Pump LionV8	A2C59513481	5WS40254
1543842	CR Pump LYNX	A2C59511609	5WS40094
1544405	CR Pump LION V6/DT17	A2C59511314	5WS40157
1685796	CR Injector DV6C	A2C59513556	5WS40677
1685831	CR Pump DV6 (Ford)	A2C59513829	5WS40893 CR Pump DV6 Ford
1700379	Copper Ring DV6C and Puma	A2C59514036	
1707059	CR Pump DV6 (Ford)	A2C59513829	5WS40893 CR Pump DV6 Ford
1709667	CR Injector DV6C	A2C59513556	5WS40677
1717702	CR Pump Puma	A2C59517043	5WS40695
1720038	CR Pump DV6 (Ford)	A2C59513829	5WS40893 CR Pump DV6 Ford

OE part number	Description	Order number	Remarks
1731745	CR Pump Puma Oldham	A2C59517045	5WS40694
1745686	Copper Ring DV6C and Puma	A2C59514036	
1746967	Injector Puma	A2C59517051	5WS40745
1746967	Injector Puma	A2C59517051	A2C53307917
1791017	CR Injector DV6C	A2C59513556	5WS40677
1812616	CR Injector DV6C	A2C59513556	5WS40677
1840747	Injector Puma	A2C59517051	5WS40745
1841726	CR Pump Puma Oldham	A2C59517045	5WS40694
1841728	CR Pump Puma	A2C59517043	5WS40695
1849878	CR Pump Puma	A2C59517043	5WS40695
2S6Q9A543AC	CR Pump DV4	5WS40008-Z	
2S6Q9A543AD	CR Pump DV4	5WS40008-Z	
2S6Q9A543AF	CR Pump DV4	5WS40008-Z	
2S6Q9E568AB	Copper Ring (2,5mm 6-Nose)	X11-800-002-004Z	
2S6Q9F593AA	Injector	Injector	see 9649574480
2S6Q9F593AB	Injector EURO 3 DV4	5WS40148-Z	
2S6Q9F593AC	Injector EURO 3 DV4	5WS40148-Z	
2S6Q9F593BC	Injector EU4 DV4 => replaced by A2C59511612	5WS40149-Z	replaced by A2C59511612
2S6Q9F593BD	Injector DV4 (Kyocera)	A2C59511612	
2S6Q9G719AA	Leakage Clip DW10TD, DV4	X11-800-001-001Z	
3M5Q9A543BD	CR Pump DW10B => replaced by 5WS40809-Z	5WS40019-Z	replaced by 5WS40809-Z
3M5Q9A543CB	CR Pump DW10B (VOLVO NEW)	A2C59511600	5WS40380
3M5Q9F593DB	Injector DW10B CLASS 4	5WS40156-4Z	
3M5Q9F593EA	Injector DW10B CLASS 5	5WS40156-Z	
3M5Q9F593EB	Injector DW10B CLASS 5	5WS40156-Z	
3M5Q9F593FB	Injector DW10B CLASS 6	A2C59511601	5WS40156-6
3M5Q9J323BA	Pipe Pump DW10B	5WS40040-Z	only for welded rails until 11/2004
3M5Q9N868CA	Pipe CYL 1+3 DW10B	5WS40042-Z	only for welded rails until 11/2004
3M5Q9N868DA	Pipe CYL 2+4 DW10B	5WS40043-Z	only for welded rails until 11/2004
4H2Q9K546AF	Injector LION V6 LAND ROVER	A2C59511364	5WS40249
4M5Q9B395AF	CR Pump LYNX	A2C59511609	5WS40094
4M5Q9F524AA	Leakage Clip DW10B	X11-800-001-003Z	
4M5Q9F593AD	Injector LYNX	A2C59511610	5WS40086
4R8Q9C066AE	Diverter Rail LION V6/DT17	A2C59511317	5WS40128
4R8Q9D280AC	Rail LEFT LION V6/DT17	A2C59511318	5WS40129
4R8Q9D280BC	Rail RIGHT LION V6/DT17	A2C59511319	5WS40130
4S7Q9B395AJ	CR Pump LION V6/DT17	A2C59511314	5WS40157
4S7Q9B395AK	CR Pump LION V6/DT17	A2C59511314	5WS40157
4S7Q9B395AL	CR Pump LION V6/DT17	A2C59511314	5WS40157
4S7Q9F524AB	Leakage Clip	X11-800-001-002Z	
4S7Q9K546AF	Injector LION V6 JAGUAR EURO 3	A2C59511315	5WS40057
4S7Q9K546AG	Injector LION V6 JAGUAR EURO 3	A2C59511315	5WS40057
4S7Q9L535AC	Injector Clamp Lion	A2C59511320	5WS40246
4S7Q9M577AA	Copper Ring (1.5mm)	X11-800-002-002Z	
5U3Q9K546AA	Injector LION V6/DT17 EURO 4	A2C59511316	5WS40103
6H4Q9B395BD	CR Pump LionV8	A2C59513481	5WS40254
6H4Q9B395BE	CR Pump LionV8	A2C59513481	5WS40254
6H4Q9B395BF	CR Pump LionV8	A2C59513481	5WS40254
6H4Q9B395BG	CR Pump LionV8	A2C59513481	5WS40254
6H4Q9D280AB	Rail LH LionV8	A2C59513699	5WS40256
6H4Q9D280AC	Rail LH LionV8	A2C59513699	5WS40256
6H4Q9D280BB	Rail RH With Sensor LionV8	A2C59513512	5WS40255
6H4Q9K546DB	Injector LionV8 (white clip)	A2C59513596	5WS40253

OE part number	Description	Order number	Remarks
6H4Q9K546EB	Injector LionV8 (174, red clip)	A2C59513597	5WS40387
7H2Q9B395CC	CR Pump LionV6 upgrade	A2C59513482	5WS40273
7H2Q9B395CD	CR Pump LionV6 upgrade	A2C59513482	5WS40273
7H2Q9B395CE	CR Pump LionV6 upgrade	A2C59513482	5WS40273
7H2Q9B395CF	CR Pump LionV6 upgrade	A2C59513482	5WS40273
7H2Q9B395CG	CR Pump LionV6 upgrade	A2C59513482	5WS40273
7H2Q9B395CH	CR Pump LionV6 upgrade	A2C59513482	5WS40273
7H2Q9D280CD	Rail LH (with sensor) LionV6 Upgrade	A2C59513703	5WS40272
7H2Q9D280CE	Rail LH (with sensor) LionV6 Upgrade	A2C59513703	5WS40272
7H2Q9D280DD	Rail RH LionV6 Upgrade	A2C59513702	5WS40271
7H2Q9D280DE	Rail RH LionV6 Upgrade	A2C59513702	5WS40271
7H2Q9K546CB	Injector LION V6 UPGRADE	A2C59513553	5WS40252
7T1Q9F593AB	Injector LYNX_V227	A2C59511611	5WS40250
8X2Q9A372AA	Cable Wire For Straight PCV	A2C59513201	
AV6Q9A543AA	CR Pump DV6 (Ford)	A2C59513829	5WS40893 CR Pump DV6 Ford
AV6Q9A543CA	CR Pump DV6 (Ford)	A2C59513829	5WS40893 CR Pump DV6 Ford
AV6Q9A543CB	CR Pump DV6 (Ford)	A2C59513829	5WS40893 CR Pump DV6 Ford
AV6Q9E568AA	Copper Ring DV6C and Puma	A2C59514036	
AV6Q9F593AA	CR Injector DV6C	A2C59513556	5WS40677
AV6Q9F593AB	CR Injector DV6C	A2C59513556	5WS40677
AV6Q9T558AA	O-ring gasket (return line)	A2C59514037	
BK2Q 9K546AG	Injector Puma	A2C59517051	5WS40745
BK2Q 9M577AA	Copper Ring DV6C and Puma	A2C59514036	
BK2Q-9B395AD	CR Pump Puma Oldham	A2C59517045	5WS40694
BK3Q-9B395AD	CR Pump Puma	A2C59517043	5WS40695
LR004712	CR Pump LionV6 upgrade	A2C59513482	5WS40273

PSA

OE part number	Description	Order number	Remarks
1570A9	Pipe Pump DW10TD (ONLY FOR P+P RAIL)	5WS40003-Z	only for welded rails until 11/2004
1570C1	Pipe CYL 1+3 DW10TD (ONLY FOR P+P RAIL)	5WS40004-Z	only for welded rails until 11/2004
1570C2	Pipe CYL 2+4 DW10TD (ONLY FOR P+P RAIL)	5WS40005-Z	only for welded rails until 11/2004
1570F8	Pipe Pump DW10B	5WS40040-Z	only for welded rails until 11/2004
1570G0	Pipe CYL 1+3 DW10B	5WS40042-Z	only for welded rails until 11/2004
1570G1	Pipe CYL 2+4 DW10B	5WS40043-Z	only for welded rails until 11/2004
1570G8	Rail LEFT LION V6/DT17	A2C59511318	5WS40129
1570G9	Rail RIGHT LION V6/DT17	A2C59511319	5WS40130
1570H4	Diverter Rail LION V6/DT17	A2C59511317	5WS40128
1579KK	Leckage Clip	X11-800-001-002Z	
1840747	Injector Puma	A2C59517051	A2C53307917
1920CG	CR Pump DW10TD	5WS40018-Z	
1920EP	CR Pump DV4	5WS40008-Z	
1920HJ	CR Pump LION V6/DT17	A2C59511314	5WS40157
1920KV	CR Pump DW10B => replaced by 5WS40809-Z	5WS40019-Z	replaced by 5WS40809-Z
1920QH	CR Pump DW10B => replaced by 5WS40809-Z	5WS40019-Z	replaced by 5WS40809-Z
1920QX	CR Pump DV6 => replaced by A2C59513830	A2C59513555	5WS40657
1920RY	CR Pump DV6 (StartStop)	A2C59513830	5WS40894 CR Pump DV6 (Start&Stop)
198090	Injector	Injector	replaced by 5WS40148-Z
1980C0	Injector	Injector	see: 9647247280
1980E6	Injector	Injector	replaced by 5WS40149-Z or 5WS40516/A2C59511612

OE part number	Description	Order number	Remarks
1980E7	Injector EURO 3 DV4	5WS40148-Z	
1980E8	Injector	Injector	see: 9647247280
1980ER	CR Injector DV6C	A2C59513556	5WS40677
1980ER	CR Injector DV6C	A2C59513556	5WS40677
1980ET	CR Injector DV6C	A2C59513556	5WS40677
1980F0	Injector DW10TD	5WS40000-Z	
1980H1	Injector LION V6/DT17 EURO 4	A2C59511316	5WS40103
1980J1	Injector EU4 DV4 => replaced by A2C59511612	5WS40149-Z	replaced by A2C59511612
1980J4	Injector DW10B CLASS 4	5WS40156-4Z	
1980J5	Injector DW10B CLASS 5	5WS40156-Z	
1980J9	Injector DW10B MFMA CL7	A2C59513552	5WS40322-7
1980K0	Injector	Injector	5WS40322-8
1980K5	Injector DW10U MFMA	A2C59511602	5WS40200
1980K8	Injector DW10B MFMA	A2C59511603	5WS40441
1980L0	Injector DW10B MFMA	A2C59511603	5WS40516
1980R9	CR Injector DV6C	A2C59513556	5WS40677
198165	Copper Ring (2,5mm 6-Nose)	X11-800-002-004Z	
198167	Copper Ring (1.5mm)	X11-800-002-002Z	
198169		A2C59511488	
198193	O-ring gasket (return line)	A2C59514037	
198194	Copper Ring DV6C and Puma	A2C59514036	
1982A2	Leckage Clip DW10B	X11-800-001-003Z	
1982A4	Leckage Clip	X11-800-001-002Z	
1982C4	Leckage Clip DW10TD, DV4	X11-800-001-001Z	
1982C6	Injector Clamp Lion	A2C59511320	
30725188	CR Pump DW10B (VOLVO NEW)	A2C59511600	5WS40380
9401982A43	Leckage Clip	X11-800-001-002Z	
9401982C48	Leckage Clip DW10TD, DV4	X11-800-001-001Z	
9464644680	Leckage Clip DW10B	X11-800-001-003Z	
9636673880	CR Pump DW10TD	5WS40018-Z	
9636675780	Pipe CYL 2+4 DW10TD (ONLY FOR P+P RAIL)	5WS40005-Z	only for welded rails until 11/2004
9636680280	Injector DW10TD	5WS40000-Z	
9636818480	CR Pump DW10TD	5WS40018-Z	
9636819380	Injector DW10TD	5WS40000-Z	
9641852080	CR Pump DV4	5WS40008-Z	
964454048A	CR Pump DW10B => replaced by 5WS40809-Z	5WS40019-Z	replaced by 5WS40809-Z
9645834480	Pipe Pump DW10B	5WS40040-Z	only for welded rails until 11/2004
9645988580	Injector	Injector	replaced by 5WS40148-Z
9647247280	Injector	Injector	a) Class marking 4,5 or 6 => replace with 5WS40156 (same classification) b) without class marking => replace with 5WS40156 (class 5)
9648917080	Injector LION V6/DT17 EURO 4	A2C59511316	5WS40103
9649574480	Injector	Injector	replaced by 5WS40148-Z
9651590880	CR Pump DV4	5WS40008-Z	
9652173680	Injector DW10TD	5WS40000-Z	
9652173780	Injector DW10TD	5WS40000-Z	
9652175380	CR Pump DW10TD	5WS40018-Z	
9652175480	CR Pump DW10TD	5WS40018-Z	
9652707180	Injector	Injector	replaced by 5WS40149-Z or 5WS40516/A2C59511612
9652763180	Injector	Injector	see 9649574480
9652763280	Injector	Injector	replaced by 5WS40148-Z

OE part number	Description	Order number	Remarks
9653276480	Copper Ring (2.5mm)	X11-800-002-001Z	
9653969680	Rail LEFT LION V6/DT17	A2C59511318	5WS40129
9653969780	Rail RIGHT LION V6/DT17	A2C59511319	5WS40130
9654091880	CR Pump DW10B => replaced by 5WS40809-Z	5WS40019-Z	replaced by 5WS40809-Z
9654550980	Injector EU4 DV4 => replaced by A2C59511612	5WS40149-Z	replaced by A2C59511612
9654551080	Injector EU4 DV4 => replaced by A2C59511612	5WS40149-Z	replaced by A2C59511612
9654615580	CR Pump DW10B (VOLVO)	5WS40163-Z	
9655029880	CR Pump LION V6/DT17	A2C59511314	5WS40157
9655304780	Injector EURO 3 DV4	5WS40148-Z	
9655304880	Injector EURO 3 DV4	5WS40148-Z	
9655714780	Diverter Rail LION V6/DT17	A2C59511317	5WS40128
9656322980	Copper Ring (1.5mm)	X11-800-002-002Z	
9657144580	Injector DW10B CLASS 6	A2C59511601	see: 9647247280
9657144580	Injector DW10B CLASS 4	5WS40156-4Z	see: 9647247280
9657144680	Injector DW10B CLASS 5	5WS40156-Z	
9657144680	Injector DW10B CLASS 5	5WS40156-Z	
9657144780	Injector DW10B CLASS 5	5WS40156-Z	
9658176080	CR Pump DV4	5WS40008-Z	
9658193780	CR Pump DW10B (VOLVO)	5WS40163-Z	
9658193980	CR Pump DW10B => replaced by 5WS40809-Z	5WS40019-Z	replaced by 5WS40809-Z
9658194180	Injector DW10B MFMA	A2C59511603	5WS40322
9658195080	CR Pump DW10TD	5WS40018-Z	
9658676080	Injector Clamp Lion	A2C59511320	5WS40246
9659244280	Injector DW10B CLASS 5	5WS40156-Z	
9659337980	Injector DW10U MFMA	A2C59511602	5WS40200
9660334880	Injector DW10B MFMA	A2C59511603	can also be replaced by 5WS40322, but ECU calibration updated needed
9661683980	Injector	Injector	replaced by 5WS40156 (class 5 only)
9662021580	CR Pump DW10B (VOLVO NEW)	A2C59511600	5WS40380
9663429280	Injector DV4 (Kyocera)	A2C59511612	5WS40516
9670652580	CR Pump DV6 => replaced by A2C59513830	A2C59513555	5WS40657
9672605380	CR Pump DV6 (StartStop)	A2C59513830	5WS40894 CR Pump DV6 (Start&Stop)
9672605580	CR Injector DV6C	A2C59513556	5WS40677
9674973080	CR Injector DV6C	A2C59513556	5WS40677
9676289780	CR Injector DV6C	A2C59513556	5WS40677
9677247280	Injector	Injector	see 9649574480
9678171880	CR Pump Puma Oldham	A2C59517045	5WS40694
9681900980	CR Pump DW10B => replaced by 5WS40809-Z	5WS40019-Z	replaced by 5WS40809-Z
9683023580	CR Pump DW10B => replaced by 5WS40809-Z	5WS40019-Z	replaced by 5WS40809-Z
9683528780	CR Pump DV4	5WS40008-Z	
9683623780	CR Pump DW10B => replaced by 5WS40809-Z	5WS40019-Z	replaced by 5WS40809-Z
9683624080	CR Pump DW10B (VOLVO NEW)	A2C59511600	5WS40380
9683627780	CR Pump DW10B => replaced by 5WS40809-Z	5WS40019-Z	replaced by 5WS40809-Z
9683957238A	CR Injector DV6C	A2C59513556	5WS40677
9683957280	CR Injector DV6C	A2C59513556	5WS40677
9685440880	CR Pump DV4	5WS40008-Z	
9685704880	CR Pump DW10B => replaced by 5WS40809-Z	5WS40019-Z	replaced by 5WS40809-Z
9685704880	CR Pump DW10B => replaced by 5WS40809-Z	5WS40019-Z	replaced by 5WS40809-Z
9685705080	CR Pump DW10B (VOLVO NEW)	A2C59511600	5WS40380
9688153080	CR Pump DW10B => replaced by 5WS40809-Z	5WS40019-Z	replaced by 5WS40809-Z
9715135480	Injector	Injector	see 9652707180

OE part number	Description	Order number	Remarks
9801125480	Injector Puma	A2C59517051	5WS40745
9801125480	Injector Puma	A2C59517051	A2C53307917
9801621780	Copper Ring DV6C and Puma	A2C59514036	
9802448680	CR Injector DV6C	A2C59513556	5WS40677
9802448680	CR Injector DV6C	A2C59513556	5WS40677

Renault

OE part number	Description	Order number	Remarks
166006212R	Injector K9K Gen6		not released yet for IAM
166008052R	Injector K9K EU5	A2C59513484	5WS40536
166009445R	Injector K9K EU4	A2C59511606	
167000938R	CR Pump K9K EU5	A2C59513595	5WS40565
167008557R	CR Pump K9K Gen6		not released yet for IAM
167008859R	CR Pump K9K EU4	A2C59511605	5WS40153
7701477442	Leckage Clip	X11-800-001-002Z	
8200380253	Injector K9K EU4	A2C59511606	replaced by 8200842205
8200397346	Rail With Sensor K9K EU4	A2C59511607	5WS40154
8200430599	CR Pump K9K EU4	A2C59511605	replaced by 8200 663 258
8200579287	Rail With Sensor K9K EU4	A2C59511607	5WS40154
8200619296	Rail K9K EU5 (with sensor)	A2C59513750	5WS40440
8200663258	CR Pump K9K EU4	A2C59511605	5WS40153
8200702621	CR Pump K9K EU5	A2C59513595	5WS40565
8200704200	CR Pump K9K EU5	A2C59513595	5WS40565
8200704212	Rail K9K EU5 (with sensor)	A2C59513750	5WS40440
8200815617	Rail With Sensor K9K EU4	A2C59511607	5WS40154
8200821184	CR Pump K9K EU4	A2C59511605	5WS40153
8200842205	Injector K9K EU4	A2C59511606	
8200845671	Rail With Sensor K9K EU4	A2C59511607	5WS40154
8200903034	Injector K9K EU5	A2C59513484	5WS40536
8201041272	Injector K9K Gen6		not released yet for IAM
8201042300	Injector K9K EU4	A2C59511606	
8201100113	Injector K9K Gen6		not released yet for IAM

Dacia

OE part number	Description	Order number	Remarks
166008052R	Injector K9K EU5	A2C59513484	5WS40536
167000938R	CR Pump K9K EU5	A2C59513595	5WS40565
8200704200	CR Pump K9K EU5	A2C59513595	5WS40565
8200903034	Injector K9K EU5	A2C59513484	5WS40536

Nissan

OE part number	Description	Order number	Remarks
16600 00Q0H	Injector K9K EU4	A2C59511606	
16600 00Q0P	Injector K9K EU4	A2C59511606	
16600 00Q1F	Injector K9K EU5	A2C59513484	5WS40536
16600 00Q1T	Injector K9K EU4	A2C59511606	
16700 00Q0N	CR Pump K9K EU4	A2C59511605	5WS40153
16700 00Q1C	CR Pump K9K EU4	A2C59511605	5WS40153

OE part number	Description	Order number	Remarks
16700 00Q1F	CR Pump K9K EU5	A2C59513595	5WS40565
16700 00Q1L	CR Pump K9K EU4	A2C59511605	5WS40153
16700 00Q1M	CR Pump K9K EU5	A2C59513595	5WS40565

Volvo

OE part number	Description	Order number	Remarks
30725106	Injector	Injector	5WS40518
31216456	Injector DW10B CLASS 6	A2C59511601	5WS40156-6
31303994	CR Injector DV6C	A2C59513556	5WS40677
31321487	CR Pump DV6 (Ford)	A2C59513829	5WS40893 CR Pump DV6 Ford
31321711	Copper Ring DV6C and Puma	A2C59514036	
31336585	CR Injector DV6C	A2C59513556	5WS40677
31336623	CR Pump DV6 (Ford)	A2C59513829	5WS40893 CR Pump DV6 Ford
36001726	CR Injector DV6C	A2C59513556	5WS40677
36001727	CR Injector DV6C	A2C59513556	5WS40677
36001728	CR Injector DV6C	A2C59513556	5WS40677
36001729	CR Injector DV6C	A2C59513556	5WS40677
8603177	Injector	Injector	see: 9647247280
8603319	Injector	Injector	see: 9647247280
8603527	CR Pump DW10B (VOLVO)	5WS40163-Z	
8603564	Injector DW10B CLASS 5	5WS40156-Z	
8603565	Injector DW10B CLASS 4	5WS40156-4Z	

Jaguar

OE part number	Description	Order number	Remarks
02C2C40185	CR Pump LION V6/DT17	A2C59511314	5WS40157
02C2C40862	Cable Wire For Straight PCV	A2C59513201	
02C2S40004	Injector LION V6/DT17 EURO 4	A2C59511316	5WS40103
02C2S40185	CR Pump LION V6/DT17	A2C59511314	5WS40157
02XR856939	Injector LION V6 JAGUAR EURO 3	A2C59511315	5WS40057
C2S21181	Copper Ring (1.5mm)	X11-800-002-002Z	
C2S24003	Injector Clamp Lion	A2C59511320	5WS40246
C2S29876	Diverter Rail LION V6/DT17	A2C59511317	5WS40128
C2S32276	Leckage Clip	X11-800-001-002Z	
C2S40004	Injector LION V6/DT17 EURO 4	A2C59511316	5WS40103
C2S43326	Diverter Rail LION V6/DT17	A2C59511317	5WS40128
JDE2458	Rail LEFT LION V6/DT17	A2C59511318	5WS40129
JDE2459	Rail RIGHT LION V6/DT17	A2C59511319	5WS40130
JDE3099	CR Pump LION V6/DT17	A2C59511314	5WS40157
JDE4062	Rail LEFT LION V6/DT17	A2C59511318	5WS40129
JDE4063	Rail RIGHT LION V6/DT17	A2C59511319	5WS40130
XR845127	Injector LION V6 JAGUAR EURO 3	A2C59511315	5WS40057
XR856939	Injector LION V6 JAGUAR EURO 3	A2C59511315	5WS40057

Landrover

OE part number	Description	Order number	Remarks
1489401	Injector LION V6 UPGRADE	A2C59513553	5WS40252
4H2Q9K546AF	Injector LION V6 LAND ROVER	A2C59511364	5WS40249
6H4Q9D280BC	Rail RH With Sensor LionV8	A2C59513512	5WS40255
6H4Q9K546DB	Injector LionV8 (white clip)	A2C59513596	5WS40253

OE part number	Description	Order number	Remarks
6H4Q9K546EB	Injector LionV8 (174, red clip)	A2C59513597	5WS40387
7H2Q9B395CH	CR Pump LionV6 upgrade	A2C59513482	5WS40273
7H2Q9K546CB	Injector LION V6 UPGRADE	A2C59513553	5WS40252
LR004295	CR Pump LION V6/DT17	A2C59511314	5WS40157
LR005055	Rail LH LionV8	A2C59513699	5WS40256
LR005056	Rail RH With Sensor LionV8	A2C59513512	5WS40255
LR005057	CR Pump LionV8	A2C59513481	5WS40254
LR005549	CR Pump LionV6 upgrade	A2C59513482	5WS40273
LR005549	CR Pump LionV6 upgrade	A2C59513482	5WS40273
LR005551	Rail RH LionV6 Upgrade	A2C59513702	5WS40271
LR005553	Rail LH (with sensor) LionV6 Upgrade	A2C59513703	5WS40272
LR005958	CR Pump LION V6/DT17	A2C59511314	5WS40157
LR005961	Injector LION V6 LAND ROVER	A2C59511364	5WS40249
LR006495	Injector LION V6 LAND ROVER	A2C59511364	5WS40249
LR006496	Injector LION V6 UPGRADE	A2C59513553	5WS40252
LR006735	CR Pump LionV8	A2C59513481	5WS40254
LR008831	CR Pump LionV6 upgrade	A2C59513482	5WS40273
LR008836	Injector LION V6 LAND ROVER	A2C59511364	5WS40249
LR008837	Injector LION V6 UPGRADE	A2C59513553	5WS40252
LR009666	CR Pump LionV6 upgrade	A2C59513482	5WS40273
LR009737	CR Pump LionV8	A2C59513481	5WS40254
LR009804	CR Pump LION V6/DT17	A2C59511314	5WS40157
LR017367	CR Pump LionV6 upgrade	A2C59513482	5WS40273
LR020018	Rail LH LionV8	A2C59513699	5WS40256
LR020019	Rail RH With Sensor LionV8	A2C59513512	5WS40255
LR020020	Rail LH (with sensor) LionV6 Upgrade	A2C59513703	5WS40272
LR020021	Rail RH LionV6 Upgrade	A2C59513702	5WS40271
LR024834	CR Pump LION V6/DT17	A2C59511314	5WS40157
LR029969	CR Pump Puma	A2C59517043	5WS40695
LR029969	CR Pump Puma	A2C59517043	5WS40695
LR049606	CR Pump LionV6 upgrade	A2C59513482	5WS40273
LR052872	CR Pump Puma	A2C59517043	5WS40695
LR052872	CR Pump Puma	A2C59517043	5WS40695

VW

OE part number	Description	Order number	Remarks
03G130073D/...DX			VW EUI A2C20006580; not released yet for IAM
03G130073T			not released yet for IAM
03L 130 755 AH	CR VW Start Stop pump	A2C59517047	5WS40836
03L 130 755 AJ	CR VW ITP less pump	A2C59517049	5WS40891
03L 130 755 AL	CR VW Start Stop pump	A2C59517047	5WS40836
03L 130 755 AN	CR VW ITP less pump	A2C59517049	5WS40891
03L 130 755 E	CR VW Start Stop pump	A2C59517047	5WS40836
03L 130 755 H	CR VW ITP less pump	A2C59517049	5WS40891
03L130277B	Injektor VW CR	A2C59513554	5WS40539
03L130447	Leakage Clip	X11-800-001-002Z	
03L130519	Copper Ring IAM (VW)	A2C59516873	

Audi

OE part number	Description	Order number	Remarks
03L 130 755 AH	CR VW Start Stop pump	A2C59517047	5WS40836
03L 130 755 AJ	CR VW ITP less pump	A2C59517049	5WS40891
03L 130 755 AL	CR VW Start Stop pump	A2C59517047	5WS40836
03L 130 755 AN	CR VW ITP less pump	A2C59517049	5WS40891
03L 130 755 E	CR VW Start Stop pump	A2C59517047	5WS40836
03L 130 755 H	CR VW ITP less pump	A2C59517049	5WS40891

Seat

OE part number	Description	Order number	Remarks
03L 130 755 AH	CR VW Start Stop pump	A2C59517047	5WS40836
03L 130 755 AJ	CR VW ITP less pump	A2C59517049	5WS40891
03L 130 755 AL	CR VW Start Stop pump	A2C59517047	5WS40836
03L 130 755 AN	CR VW ITP less pump	A2C59517049	5WS40891
03L 130 755 E	CR VW Start Stop pump	A2C59517047	5WS40836
03L 130 755 H	CR VW ITP less pump	A2C59517049	5WS40891

Skoda

OE part number	Description	Order number	Remarks
03L 130 755 AH	CR VW Start Stop pump	A2C59517047	5WS40836
03L 130 755 AJ	CR VW ITP less pump	A2C59517049	5WS40891
03L 130 755 AL	CR VW Start Stop pump	A2C59517047	5WS40836
03L 130 755 AN	CR VW ITP less pump	A2C59517049	5WS40891
03L 130 755 E	CR VW Start Stop pump	A2C59517047	5WS40836
03L 130 755 H	CR VW ITP less pump	A2C59517049	5WS40891

Mercedes-Benz

OE part number	Description	Order number	Remarks
A 607 070 01 01	CR Pump K9K Gen6		not released yet for IAM
A 607 070 01 95	Injector K9K Gen6		not released yet for IAM

Toyota

OE part number	Description	Order number	Remarks
SU00100620	CR Pump DV4	5WS40008-Z	
SU00100754	Injector DV4 (Kyocera)	A2C59511612	5WS40516
SU00100836	Injector DV4 (Kyocera)	A2C59511612	5WS40516

Mazda

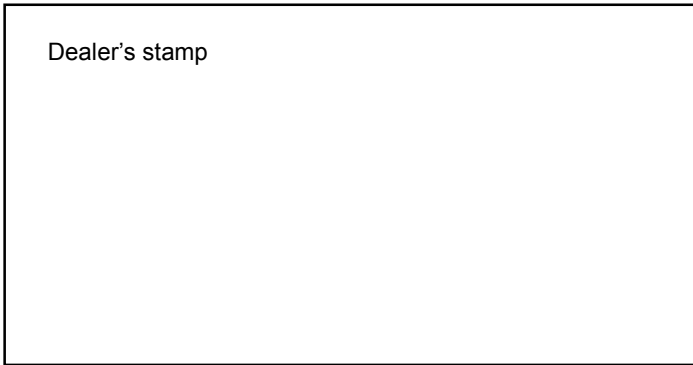
OE part number	Description	Order number	Remarks
Y401 13800C	CR Pump DV4	5WS40008-Z	
Y404 13250A	Injector DV4 (Kyocera)	A2C59511612	

Continental

OE part number	Description	Order number	Remarks
5WS40006		n/a	HP-Sensor is not available as separate item
5WS40039		n/a	HP-Sensor is not available as separate item
5WS40050		n/a	HP-Sensor is not available as separate item
5WS40208		n/a	HP-Sensor is not available as separate item
5WS40209		n/a	HP-Sensor is not available as separate item
A2C20000502 / 5WS40018	CR Pump DW10TD	5WS40018-Z	
A2C20000598 / 5WS40019	CR Pump DW10B => replaced by 5WS40809-Z	5WS40019-Z	
A2C20000727 / 5WS40008	CR Pump DV4	5WS40008-Z	
A2C20000745 / 5WS40064		CR Pump	IESA, not released yet for IAM
A2C20000754 / 5WS40153	CR Pump K9K EU4	A2C59511605	
A2C20003032 / 5WS40094	CR Pump LYNX	A2C59511609	
A2C20003180 / 5WS40254	CR Pump LionV8	A2C59513481	
A2C20003282 / 5WS40273	CR Pump LionV6 upgrade	A2C59513482	
A2C20003757 / 5WS40157	CR Pump LION V6/DT17	A2C59511314	
A2C20003791 / 5WS40163	CR Pump DW10B (VOLVO)	5WS40163-Z	
A2C27100268 / 5WS40380	CR Pump DW10B (VOLVO NEW)	A2C59511600	
A2C53252602 / 5WS40565	CR Pump K9K EU5	A2C59513595	
A2C53300211 / 5WS40657	CR Pump DV6 => replaced by A2C59513830	A2C59513555	
A2C53334602 / 5WS40809	CR Pump DW10B	5WS40809-Z	
A2C53341464 / 5WS40836	CR VW Start Stop pump	A2C59517047	
A2C53344441 / 5WS40695	CR Pump Puma	A2C59517043	
A2C53344443 / 5WS40694	CR Pump Puma Oldham	A2C59517045	
A2C53366731 / 5WS40891	CR VW ITP less pump	A2C59517049	
A2C53381555 / 5WS40894	CR Pump DV6 (StartStop)	A2C59513830	
A2C53384062 / 5WS40893	CR Pump DV6 (Ford)	A2C59513829	
A2C59510898 / 5WS40008	CR Pump DV4	5WS40008-Z	
A2C59510899 / 5WS40018	CR Pump DW10TD	5WS40018-Z	
A2C59510900 / 5WS40019	CR Pump DW10B => replaced by 5WS40809-Z	5WS40019-Z	
A2C59510901 / 5WS40163	CR Pump DW10B (VOLVO)	5WS40163-Z	

OE part number	Description	Order number	Remarks
A2C59511313 / 5WS40157	CR Pump LION V6/DT17	A2C59511314	
A2C59511599 / 5WS40380	CR Pump DW10B (VOLVO NEW)	A2C59511600	
A2C59511604 /5WS40153	CR Pump K9K EU4	A2C59511605	
A2C59511608 / 5WS40094	CR Pump LYNX	A2C59511609	
A2C59512062 / 5WS40809	CR Pump DW10B	5WS40809-Z	
A2C59513487 / 5WS40254	CR Pump LionV8	A2C59513481	
A2C59513488 / 5WS40273	CR Pump LionV6 upgrade	A2C59513482	
A2C59513490 / 5WS40657	CR Pump DV6 => replaced by A2C59513830	A2C59513555	
A2C59513494 / 5WS40565	CR Pump K9K EU5	A2C59513595	
A2C59513831 / 5WS40893	CR Pump DV6 (Ford)	A2C59513829	
A2C59513832 / 5WS40894	CR Pump DV6 (StartStop)	A2C59513830	
A2C59517053 / 5WS40836	CR VW Start Stop pump	A2C59517047	
A2C59517054 / 5WS40891	CR VW ITP less pump	A2C59517049	
A2C59517055 / 5WS40694	CR Pump Puma Oldham	A2C59517045	
A2C59517056 / 5WS40695	CR Pump Puma	A2C59517043	

Notes



Continental Trading GmbH

Sodener Strasse 9
65824 Schwalbach

Deutschland

Tel: +49 6196 87-0

Fax: +49 6196 86571

www.vdo.com

E-Mail: replacementparts@vdo.com

VDO – A Trademark of the Continental Corporation

The information provided in this brochure contains only general descriptions or performance characteristics, which do not always apply as described in case of actual use or which may change as a result of further development of the products. This information is merely a technical description of the product. This information is not meant or intended to be a special guarantee for a particular quality or a particular durability. An obligation to provide the respective characteristics shall only exist if expressly agreed in the terms of contract. We reserve the right to make changes in availability as well as technical changes without prior notice.

A2C59514835 | Continental Trading GmbH | © 2014

Please note:

Application – The products described in this catalogue are designed for use in land vehicles, engines and equipment.
Disclaimer – The data in this replacement parts catalogue has been compiled and processed for the purpose of presenting our replacement parts range and is correct to the best of our knowledge. Subject to technical alterations, errors and omissions. Availability is not guaranteed. We cannot be held liable with regard to any information contained in the Continental Trading replacement parts catalogue except in case of intent, gross negligence or where mandatory liability is borne in accordance with German product liability law.